



0.5 μs pulse, 100Hz frequency  
for 1minute, R.H.40~60%

(Temperature=25°C)

| Parameter         | Symbol   | Condition                 | Min. | Typ. | Max. | Unit |
|-------------------|----------|---------------------------|------|------|------|------|
| Forward Voltage   | $V_F$    | $I_F=1.0\text{mA}$        | -    | 1.24 | 1.4  | V    |
|                   |          | $I_F=2.0\text{mA}$        | -    | 1.3  | 1.5  |      |
| Input Capacitance | $C_{in}$ | $V=0,$<br>$f=1\text{MHz}$ | -    | 30   | 250  | pF   |

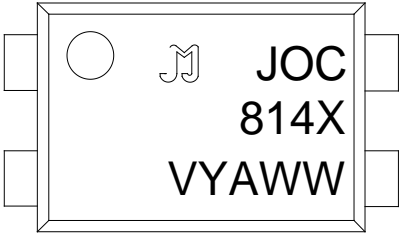


FIG.1: Forward Current vs. Ambient Temperature

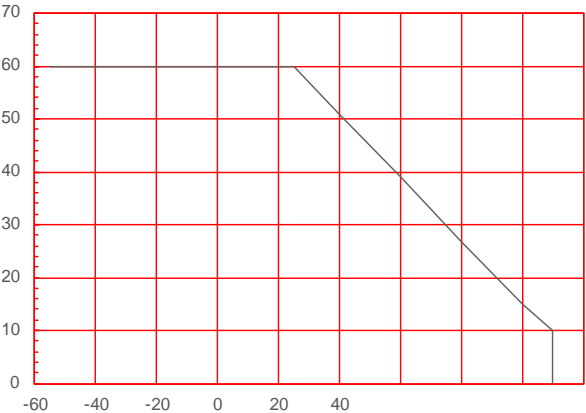


FIG.2: Collector Power Dissipation vs. Ambient Temperature

**FIG.7:** Normalized Current Transfer Ratio vs. Ambient Temperature

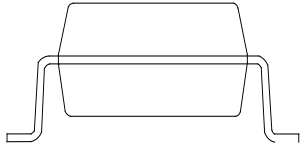
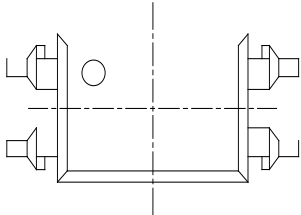


**FIG.8:** Normalized Collector-emitter Saturation Voltage vs. Ambient Temperature

**JOC814X1**

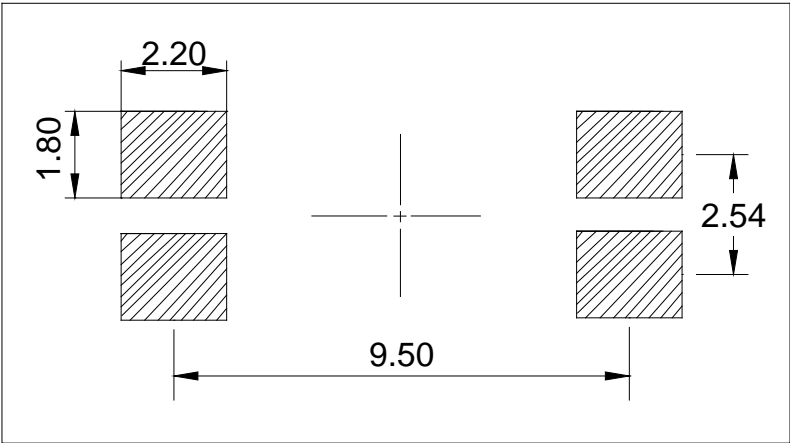


Option S Type:

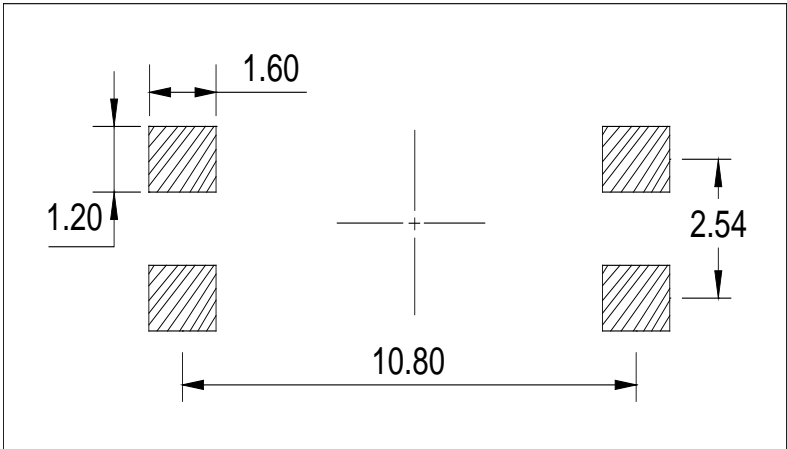




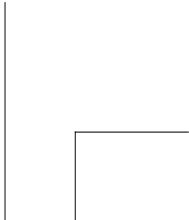
Option SL

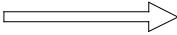
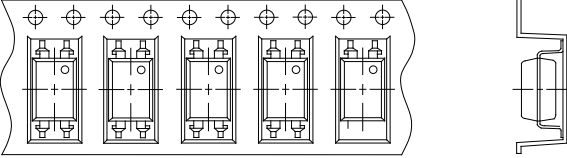


Option SLM



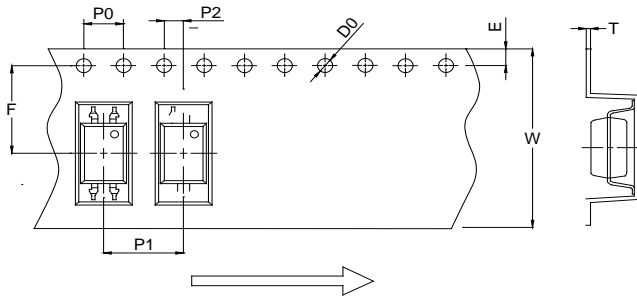
Standard DIP



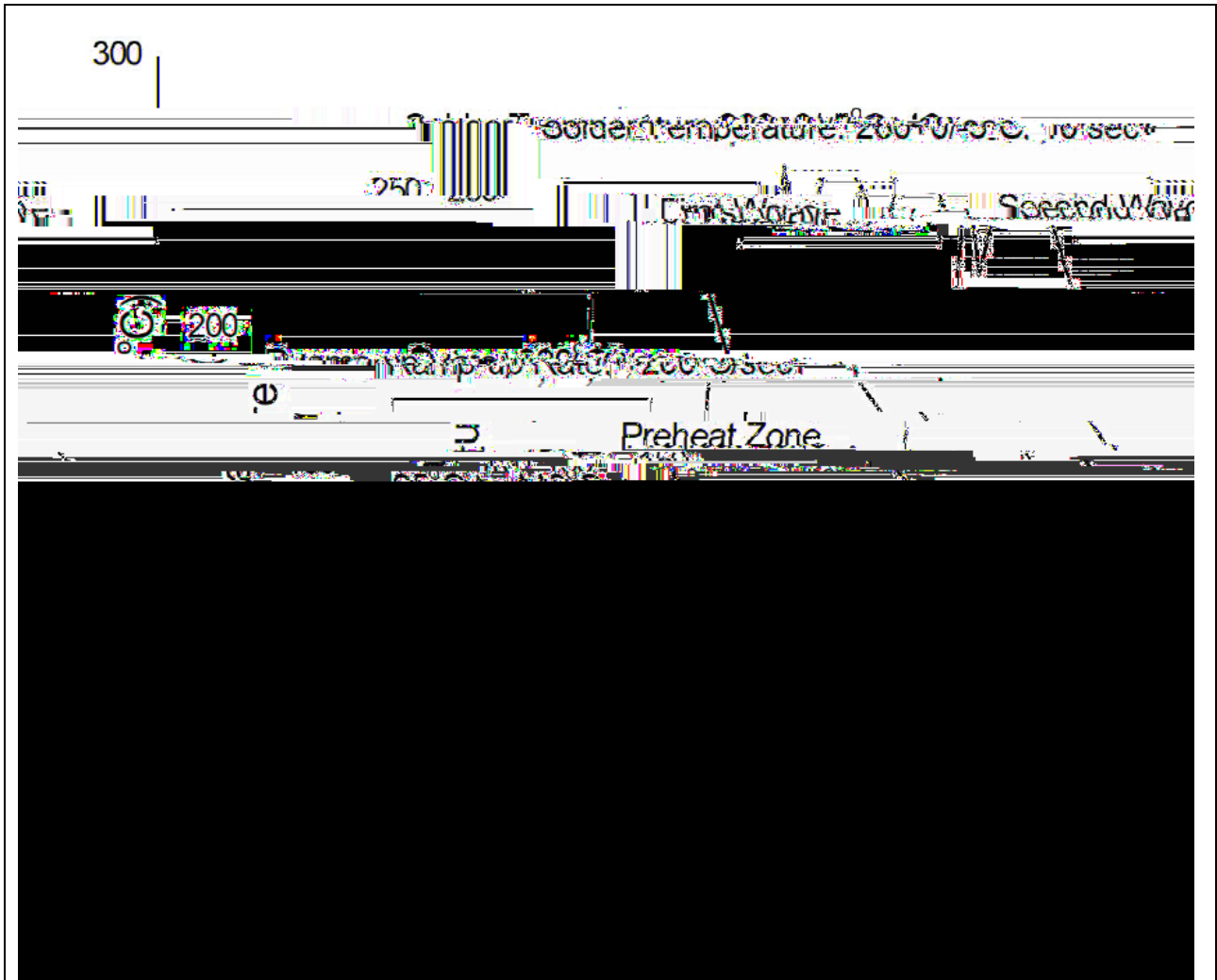




## Option SLM(T1)







|                       |         |
|-----------------------|---------|
|                       |         |
| Soldering Temperature | 360± 5  |
| Soldering Time        | 3s max. |

Information furnished in this document is believed to be accurate and reliable. However, Jiangsu JieJie Microelectronics Co., Ltd. assumes no responsibility for the consequences of use without consideration for such information nor use beyond it. Information mentioned in this document is subject to change without notice, apart from that when an agreement is signed, Jiangsu JieJie complies with the agreement.

Products and information provided in this document have no infringement of patents. Jiangsu JieJie assumes no responsibility for any infringement of other rights of third parties which may result from the use of such products and information. This document supersedes and replaces all information previously supplied.



is a registered trademark of Jiangsu JieJie Microelectronics Co., Ltd.

Copyright © 2025 Jiangsu JieJie Microelectronics Co., Ltd. All rights reserved.