





Total Power Dissipation	P_{tot}	325	mW
Isolation Voltage	V_{iso}	5000	V _{rms}
Operating Temperature	T_{opr}	-55~110	
Junction Temperature	T_j	125	
Storage Temperature	T_{stg}	-55~125	
Soldering Temperature	T_{sol}	260	
Peak pulse voltage ($T_j=25$; non-repetitive,off-state)	V_{pp}	1	kV

NOTE1: μ

NOTE2

ELECTRICAL CHARACTERISTICS (Temperature=25°C)

Input	Forward Voltage		V_F	$I_F=10mA$	-	1.2	1.5	V
	Reverse Current		I_R	$V_R=6V$	-	-	1	μA
	Input Capacitance		C_{in}	$V=0, f=1kHz$	-	10	-	pF
Output	Peak Off-state Current, Either Direction		I_{OFF}	$V_{OFF}=Rated V_{OFF}$ $I_F=0$	-	-	100	nA
	Peak On-state Voltage, Either Direction		V_{TM}	$I_{TM}=100mA$	-	1.8	2.5	V
	Critical Rate of Rise of Off-state voltage		dV/dt	$V_{PEAK}=Rated V_{PEAK}$ $I_F=0$	2000	-	-	V/ μs
Transfer Characteristics	LED Trigger Current	JOCSR21A JOCSR31A	I_{FT}	Terminal Voltage=3V $I_{TM}=100mA$	-	-	10	mA
		JOCSR21B JOCSR31B			-	-	5	
		JOCSR21C JOCSR31C			-	-	3	
		Holding Current			I_H	$I_{TM}=2mA,$ $I_F=Rated I_{FT}$	-	
	Isolation Resistance		R_{iso}	DC500V 40~60%R.H.	10^{12}	10^{14}	-	
	Floating Capacitance		C_{io}	$V=0,$ $f=1MHz$	-	5	-	pF
	Response Time		t_{on}	$V_D=6V,$ $R_L=100$, $I_F=20mA$	-	15	50	μs

NOTE3

NOTE4



ORDERING INFORMATION

J	OC	S	R	2	1	A	-D5P/S	/
JieJie Microelectronics Co., Ltd.		Opto Coupler	SCR	Random phase		A: I_{FT} 10mA B: I_{FT} 5mA C: I_{FT} 3mA	P:DIP5 S:SMD5	S:T3 L:T4
						$I_{T(RMS)}$:100mA		
						2: V_{OFF} 600V		
						3: V_{OFF} 800V		

Packing Quantity	
Option	Quantity

MARKING

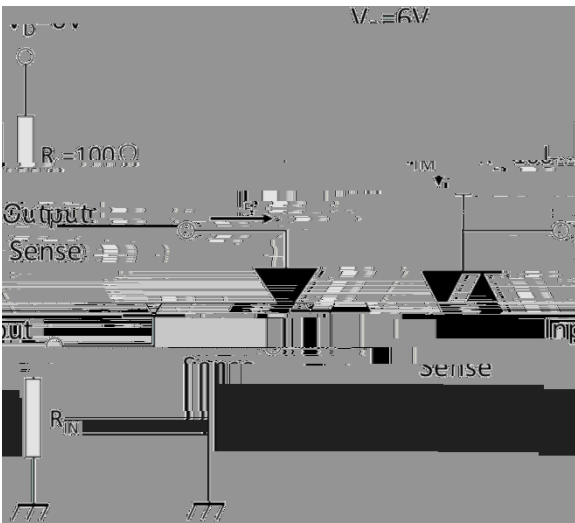




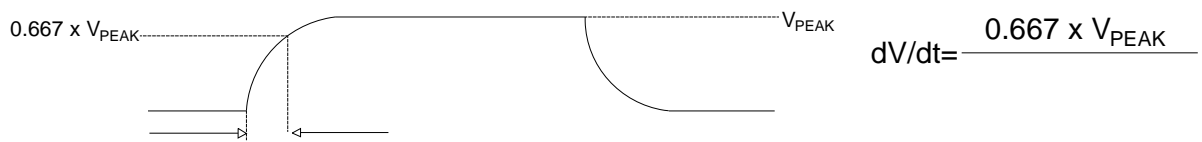
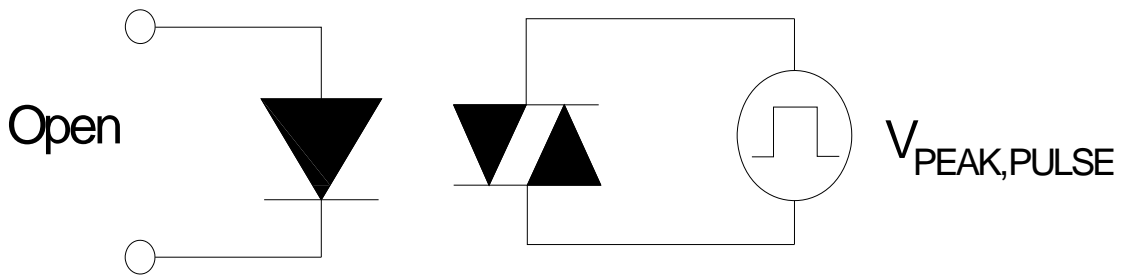


TEST CIRCUITS

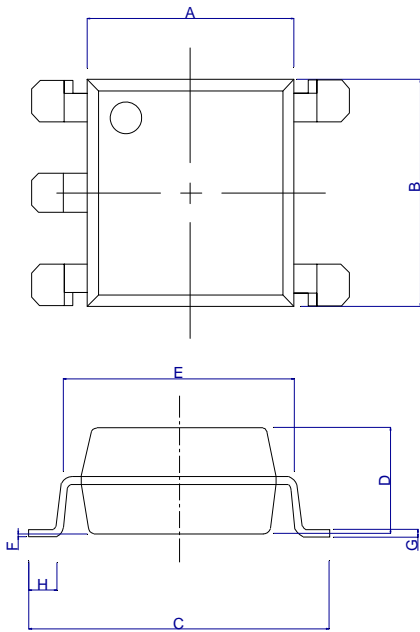
Test Circuits of Turn On Time



Waveforms of Turn On Time

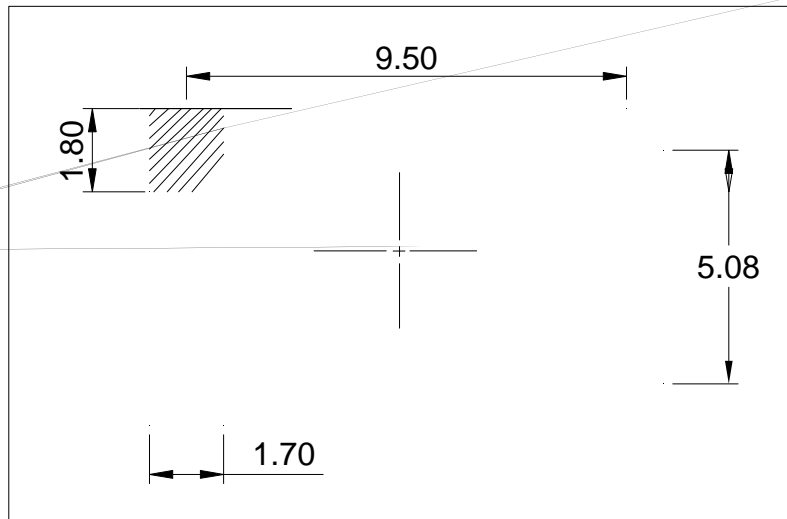






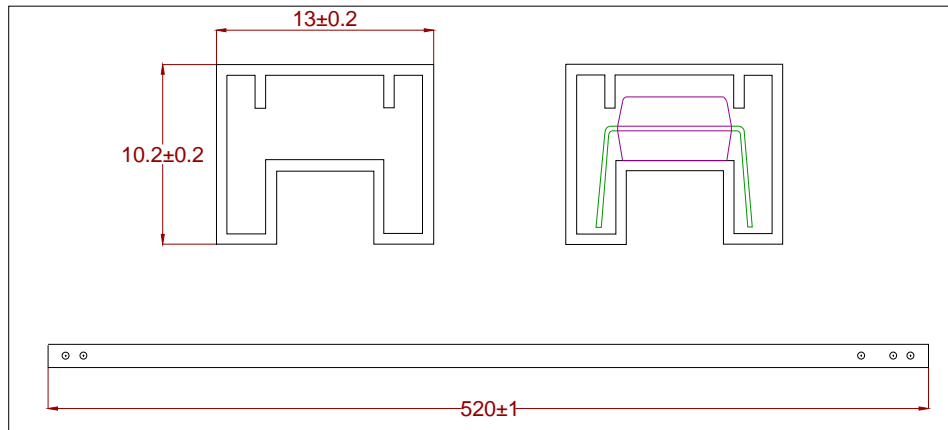
Ref.	Dimensions					
	Millimeters			Inches		
	Min.	Typ.	Max.	Min.	Typ.	Max.
A	6.20		6.60	0.244		0.260
B	6.92		7.32	0.272		0.288
C	9.50		10.50	0.375		0.413
D	3.20		3.60	0.126		0.142
E	7.32		7.92	0.288		0.312
F	0.05		0.35	0.002		0.014
G	0.16		0.36	0.006		0.014
H	0.60		1.40	0.024		0.055
I	0.90		1.50	0.035		0.059
J	3.30		3.90	0.130		0.154
K	2.29		2.79	0.090		0.110

RECOMMENDED SOLDER MASK (Dimensions in mm unless otherwise stated)

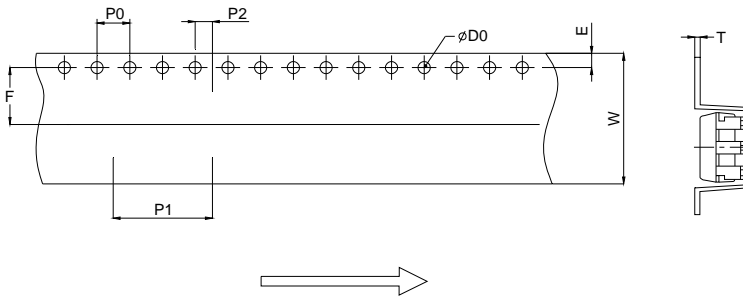




TUBE SPECIFICATIONS (Dimensions in mm unless otherwise stated)



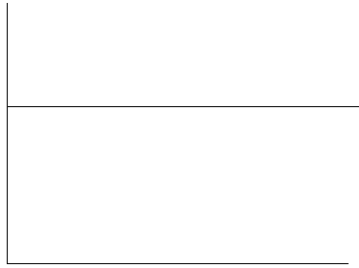
CARRIER TAPE SPECIFICATIONS (Dimensions in mm unless otherwise stated)



Ref.	Dimensions					
	Millimeters			Inches		
	Min.	Typ.	Max.	Min.	Typ.	Max.
D0		1.50	1.60		0.059	0.063
P0	3.90	4.00	4.10	0.154	0.157	0.161
P1	11.90	12.00	12.10	0.469	0.472	0.476
P2	1.90	2.00	2.10	0.075	0.079	0.083
E	1.65	1.75	1.85	0.065	0.069	0.073
F	7.40	7.50	7.60	0.291	0.295	0.299
T	0.35	0.40	0.45	0.014	0.016	0.018
W	15.70	16.00	16.30	0.618	0.630	0.642

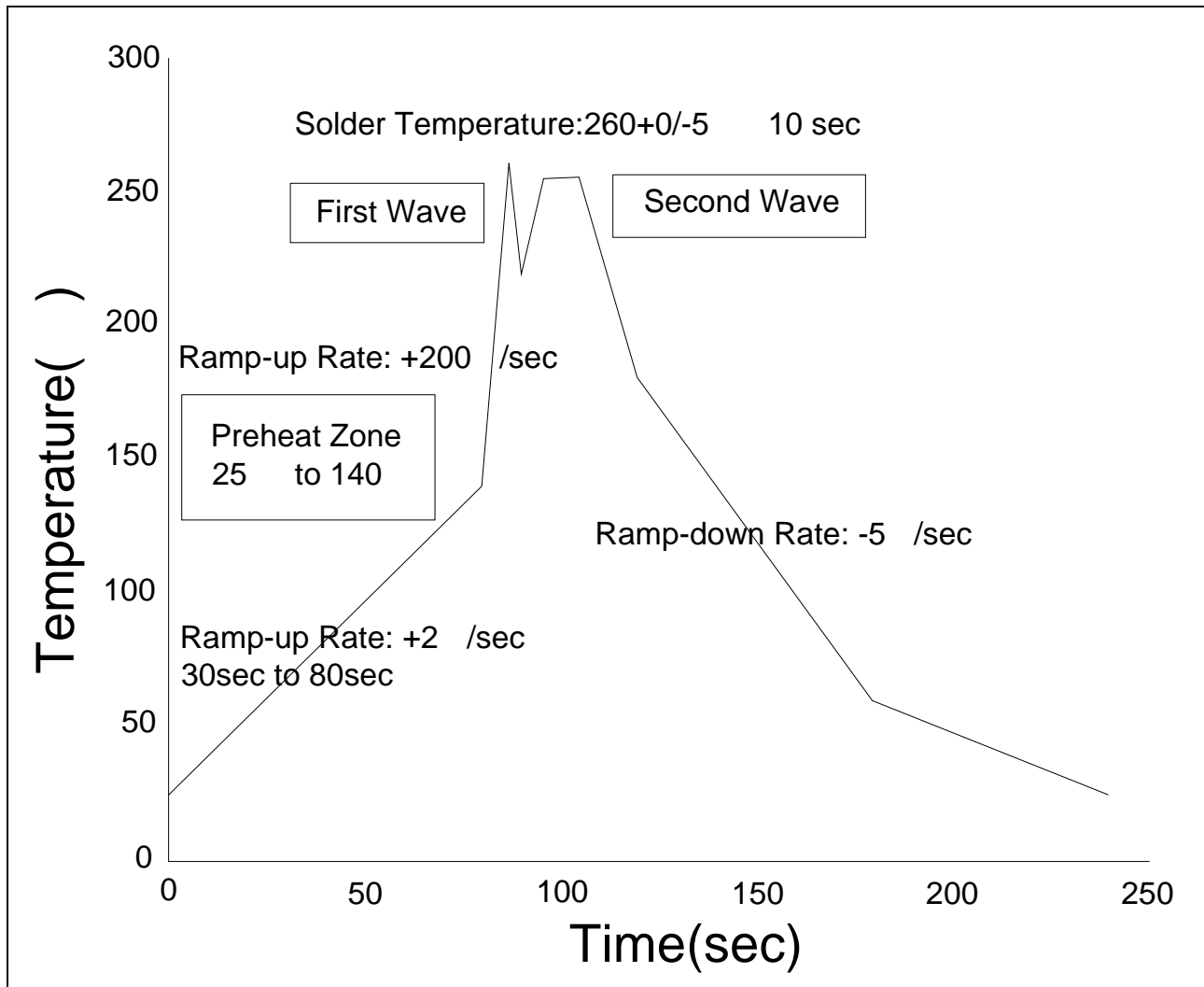


REFLOW INFORMATION





WAVE SOLDERING



HAND SOLDERING BY SOLDERING IRON

Soldering Temperature	360± 5
Soldering Time	3s max.



Note:

1. Reflow soldering is recommended at the temperatures and times shown, no more than three times.
2. Avoid direct contact be