







## ORDERING INFORMATION

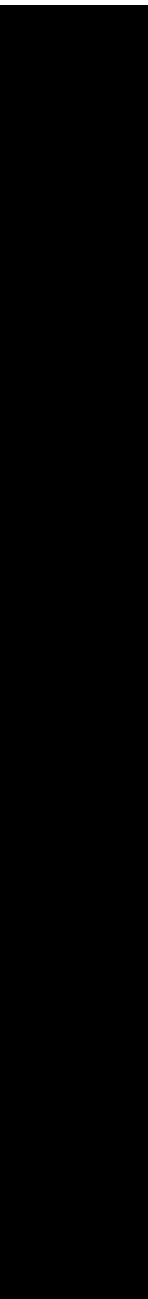
J	OC	S	R	2	1	A	-D6P/S	/
JieJie Microelectronics Co., Ltd.	Opto Coupler	SCR	Random phase			A: $I_{FT}$ 0.10mA B: $I_{FT}$ 0.5mA C: $I_{FT}$ 0.3mA $I_{T(RMS)}$ :100mA	P:DIP6 S:SMD6	S:T3 L:T4
				2: $V_{OFF}$ 1 600V 3: $V_{OFF}$ 1 800V				

Packing Quantity	
Option	Quantity
/ W	ò ì h v ] š • l d μ
^ D	í î ï ï h v ] š • l Z o

## MARKING





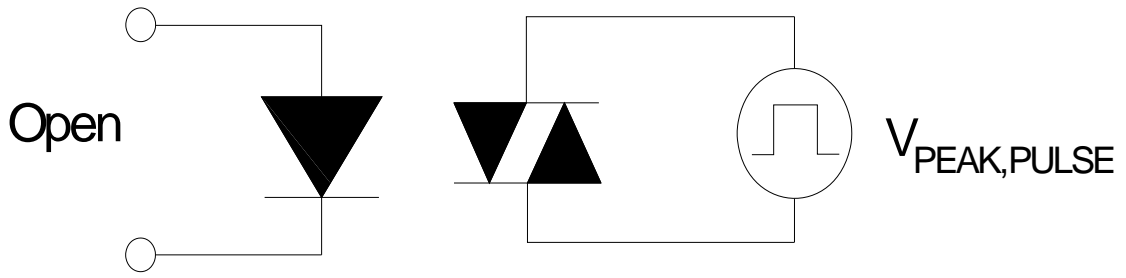




# TEST CIRCUITS

Test Circuits of Turn On Time

Waveforms of Turn On Time





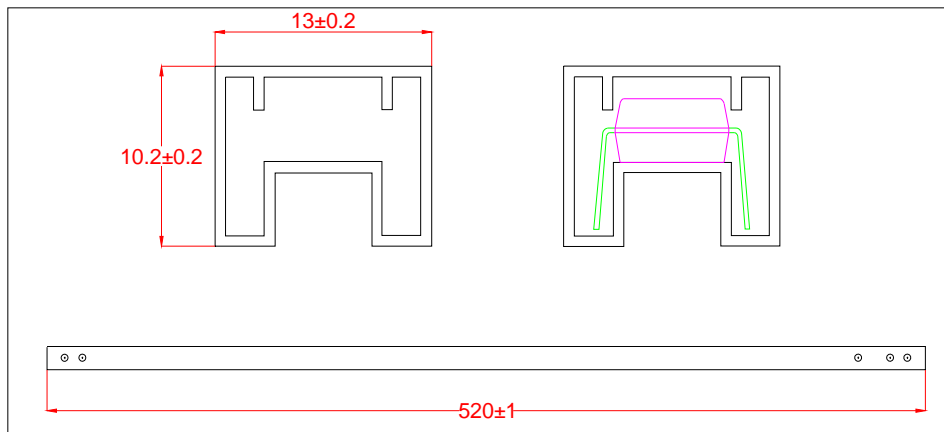
---

Test circuit for inductive and resistive loads to IEC-61000-4-5 Æ





## TUBE SPECIFICATIONS (Dimensions in mm unless otherwise stated)

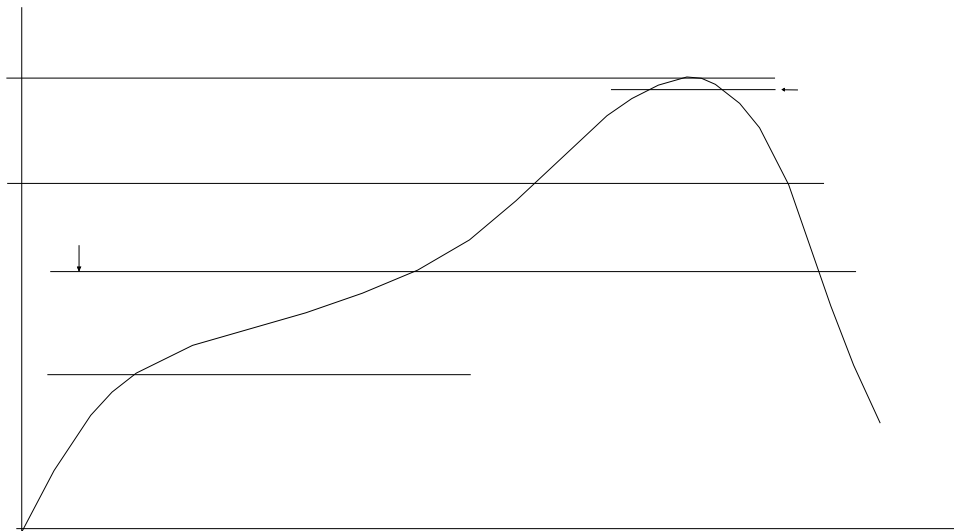
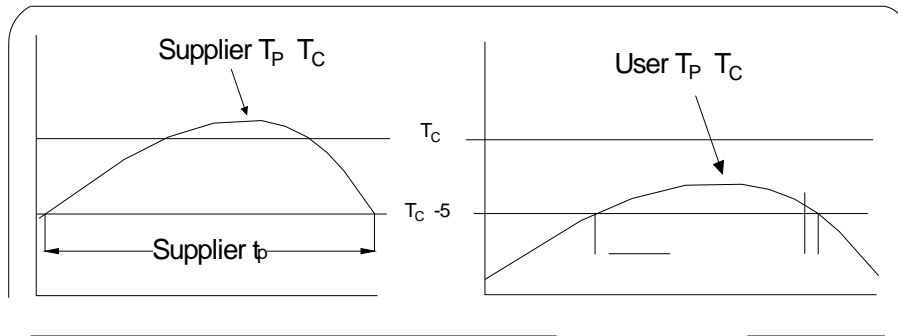


## CARRIER TAPE SPECIFICATIONS (Dimensions in mm unless otherwise stated)

Ref.	Dimensions					
	Millimeters			Inches		
	Min.	Typ.	Max.	Min.	Typ.	Max.
D0						
P0						
P1						
P2						
E						
F						
W		16.00			0.630Re-	

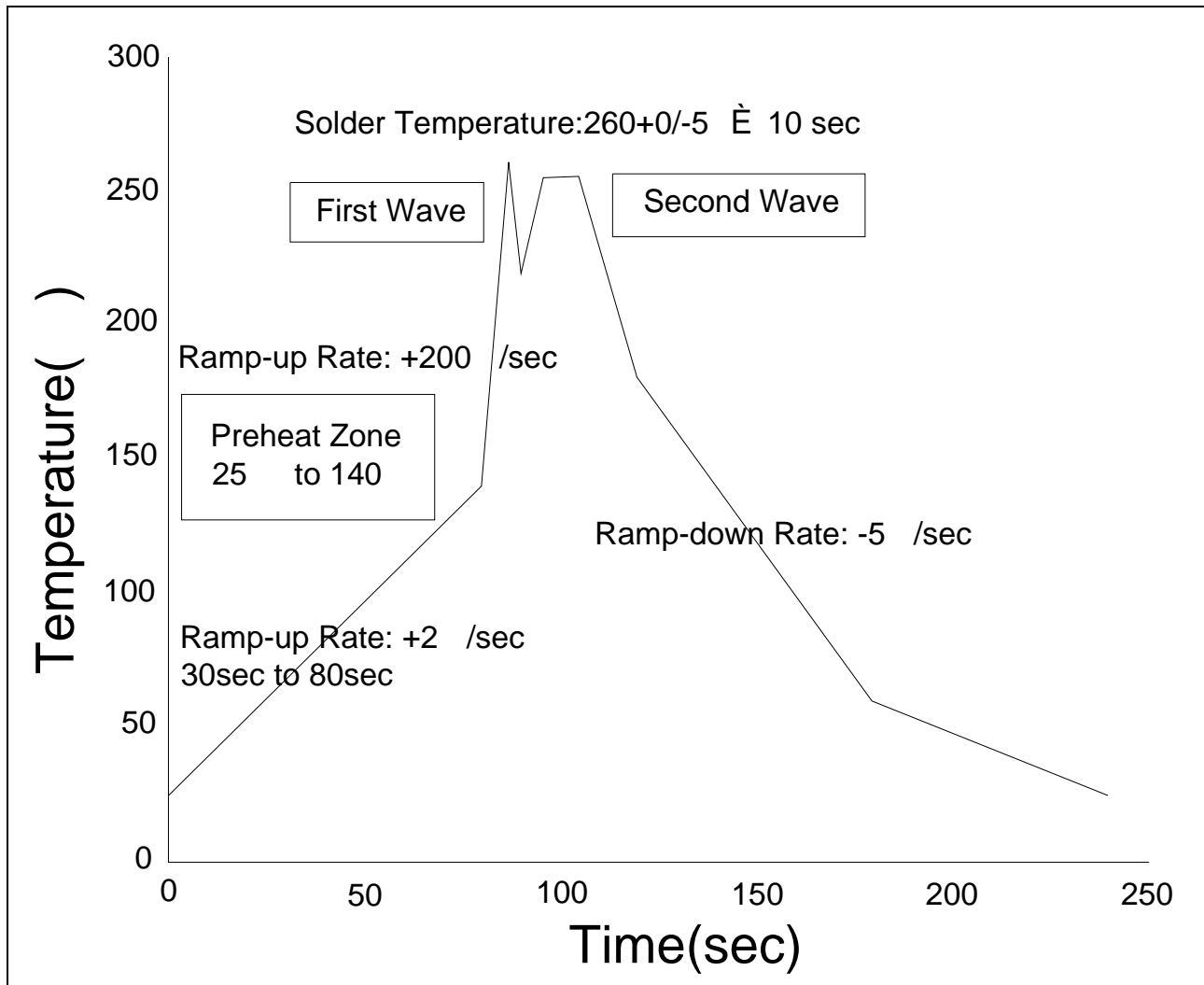


## REFLOW INFORMATION





## WAVE SOLDERING



### HAND SOLDERING BY SOLDERING IRON

Soldering Temperature	360 f5
Soldering Time	3s max.



---

Note:

1. Reflow soldering is recommended at the temperatures and times shown, no more than three times.
2. Avoid direct contact be