

Ambient Temperature

Temperature

FIG.7:

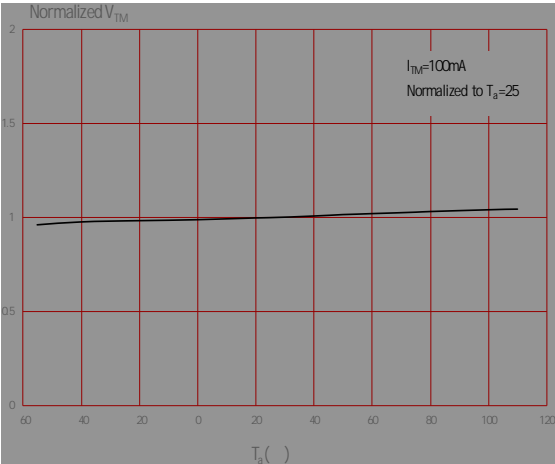
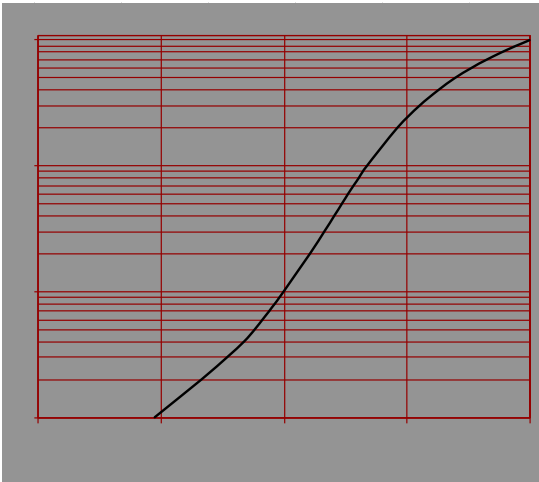


FIG.8:



TEST CIRCUITS

FIG.12:

FIG.13:

Fig.14: Test Circuits of dV/dt

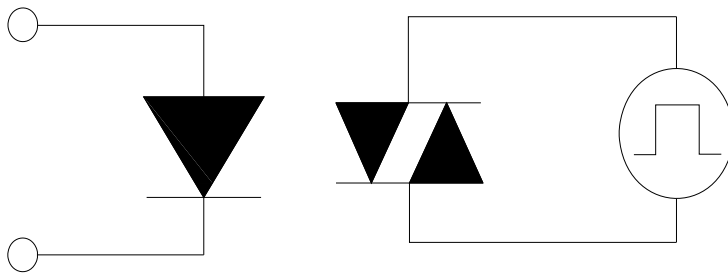
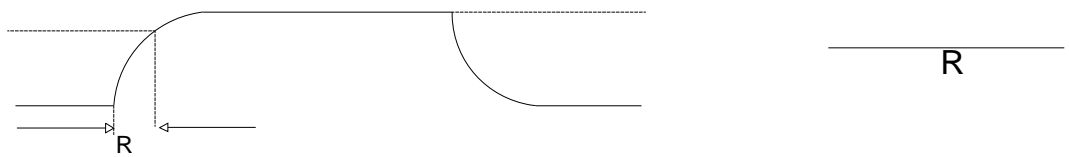
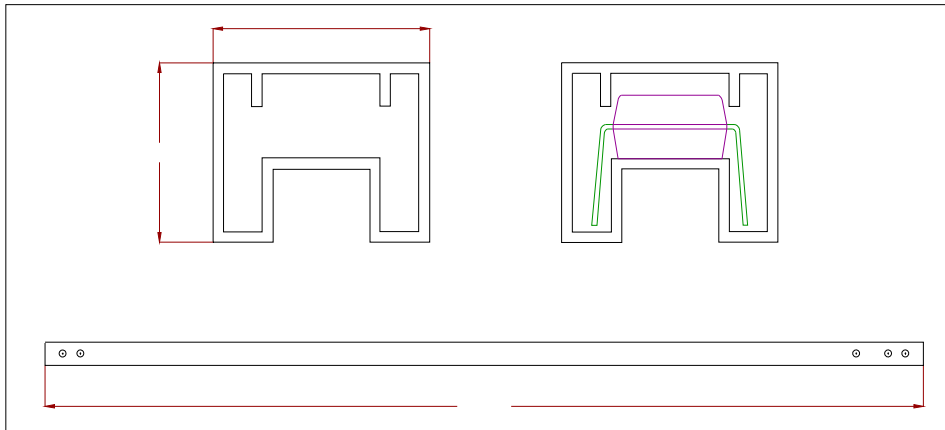


Fig.15: Waveforms of dV/dt



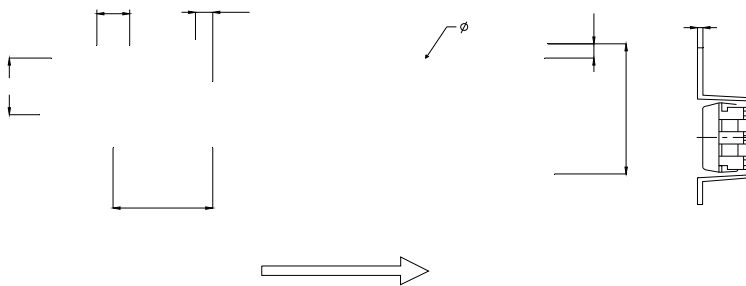
TUBE SPECIFICATIONS (Dimensions in mm unless otherwise stated)

Standard DIP

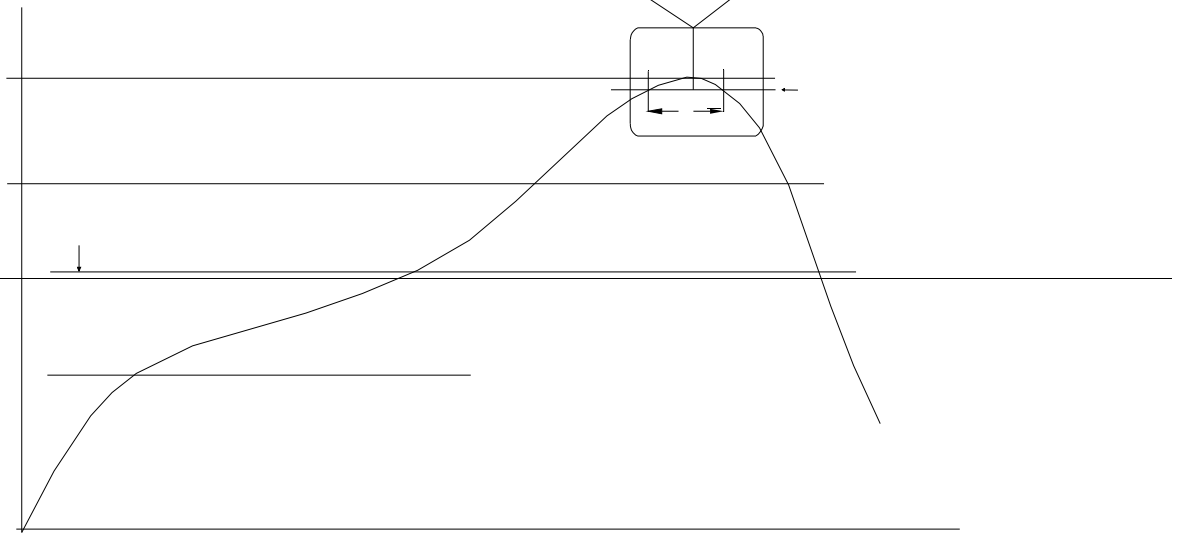
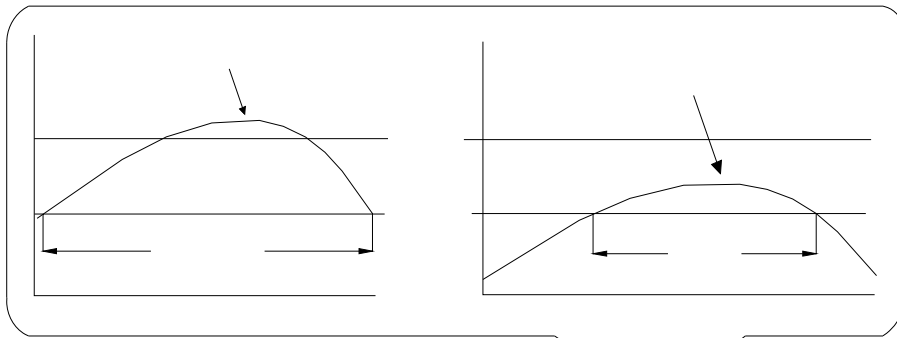


CARRIER TAPE SPECIFICATIONS (Dimensions in mm unless otherwise stated)

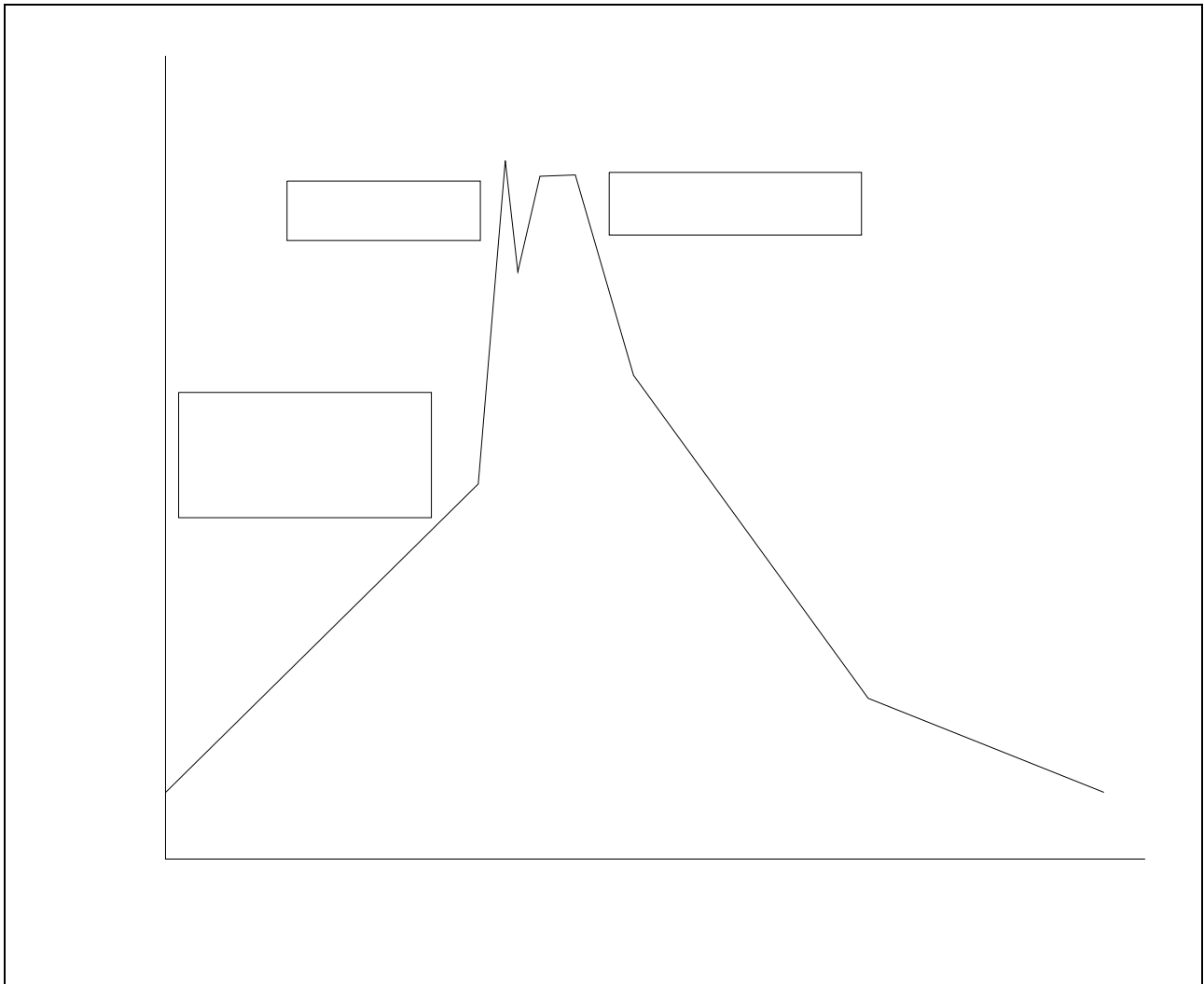
Option S/L



REFLOW INFORMATION



WAVE SOLDERING



HAND SOLDERING BY SOLDERING IRON

±

