

\$ & - 7 8 \$ 7 5 , \$ &

5HY \$

^ Z/Wd/KEW

7KH \$&-7 8 WULDF LV VXLWDEOH TRU JHQHUDO SXUSRVH
 \$& VZLWFKLQJ ,W FDQ EH XVHG DV DQ 21 2)) IXQFWLRQ LQ
 DSSOLFDWLRQV VXFK DV KHDWLQJ UHJXODWLRQ LQGXFWRU
 PRWRU VWDUWUHQVLFVFRQWURO RSHUDWLRQ LQ
 OLJKW GLPPHUV FRWUROVSHUHG FKH \$&-7 8
 HPEHGV D 796 VWUXFWXUH WR DEVRUE WKH LQGXFWLYH WX
 HQHUJ\ VXFK DV WKRVH GHVFULEHG LQ WKH ,(&
 VWDQGDUGV 3DFNDJH 72 LV 5R+6 FRPSOLDQW

D /E & dhZ ^

^K>hd D y/DhD Z d/E'^

3DUDPHWHU	6\PERO	9DOXH	
6WRUDJH MXSHFWLRQVHUPDQJHVWJ		7	

8QL

\$ & - 7

8

- LH - LH 0LFURHOHFWURQL

3H DN SXOVH YROWDJH			
7M QRQ UHSHWLWLYH RII VWDWH), *	9SS		

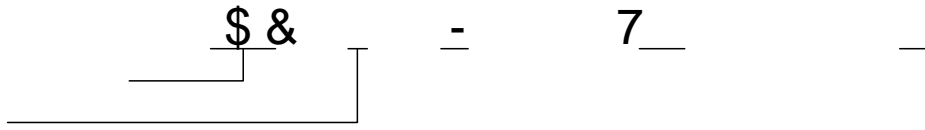
> dZ/ > , Z d Z M d / XQOHVV RWKHUZLVH VSHFLILHG

\$ & - 7 8

- LH - LH 0LFURHOHFWURQL

KZ Z/E' /E&KZD d/KE

\$ & - 7 -



8

\$ & - 7 8

- LH-LH 0LFURHOHFWURQL

), * ~~0~~[LPXP~~0~~SRZHU GLVVLSDWLRQ YHUVX".....%0Đ U AFTM€ ""%G ""

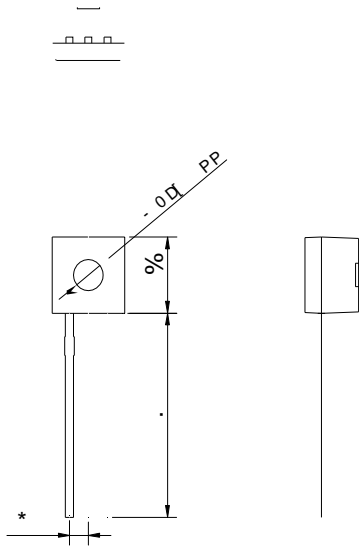
\$ & - 7 8

- LH - LH 0LFURHOHFWURQL

KZ Z/E' /E&KZD d/KE

2UGHU FR	9ROWDJH 9'50 9'50 9	, * 7 P\$	3DFND	%DVH SFV	'HOLYHU\ PRGH
\$ & - 7 8			72		%XON 3DFN
\$ & - 7 8 75					7DSH 5HHO

W < ' D , E / > d



,QIRUPDWLRQ IXUQXPHQW ILQ WKOLHGRHG WR EH DFFXUDWH D
 -LDQJVV -LH-LH 0LFURHODVWURHQLQR &RHVSWG VLELOLW\ IRU
 RI XVH ZLWKRXW FRQVLGHUDWLRQ IRG MWFKQLQIRUPDWLRQ
 LQ WKLV GRFXPHQW LQJXZLWFKRXW RQRWLFH DSDUW IURP V
 VLJQH G -LDQJVSOLHVLZLWKPWKH DJUHHPHQW
 3URGXFWV DQG LQIRUPDWLRQ GRFXPHQW KDYH QR LQIULQJ
 -LDQJVV -LH-LH DVVXIPHLOQR\URVSRQWIRQKHQJWHPKOWW RI W
 SDUWLHV ZKLFK PDKXVXROIW XFRPSWB B WWRQOQK ILQGRFXPH
 VXSHUVHGHV DQG UHSODFHV DOO LQIRUPDWLRQ SUHYLRXV
 LV D UHJLVWHUHGDQJDXGLHDUN RUF-URHWHFWURQLFV &