



2 A B

DESCRIPTION:

5 E 0 0 0 0
 2 0 0
 2 0 0
 2 0 0
 2 0 0
 2 0 0

MAIN FEATURES

ABSOLUTE MAXIMUM RATINGS

Symbol	Symbol	Symbol	Symbol
Symbol	T	Symbol	Symbol

V_{CE}	(I_{CE})	P_{CE}	1	W
V_{CE}		P_{DM}	0	W
V_{CE}	(I_{CE})	V_p	0	V

ELECTRICAL CHARACTERISTICS

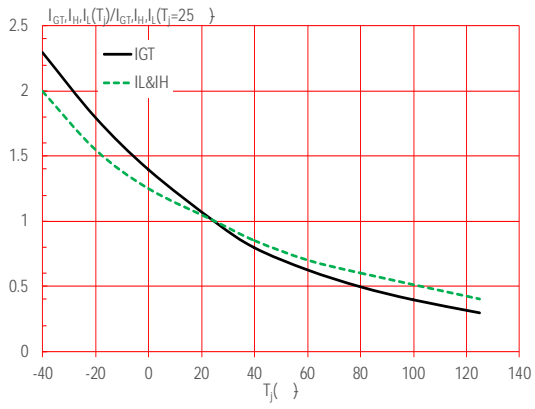
Symbol	Description	Unit			Min
		M	P	MI	
I_{CE}	$V_{CE} = 10V$	-	-	5	mA
V_{CE}		-	-	1	V
V_{CE}	$V_{CE} = 10V, I_{CE} = 10mA, R_{L} = 1k$	0	-	-	V
I_L	$I_{CE} = 20mA$	-	-	0	mA
I_H	$I_{CE} = 10mA$	-	-	0	mA
t_{on}	$V_{CE} = 10V, I_{CE} = 10mA$	80	-	-	ns
t_{off}	$I_{CE} = 10mA, I_A = 10mA, I_R = 10mA$	-	3	-	ns
t_{off}		$T_j = 25^\circ C$	-	0	

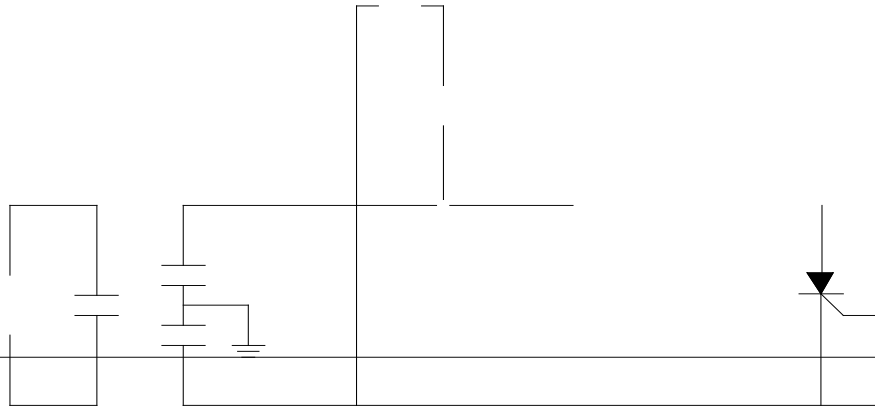
STATIC CHARACTERISTICS

Symbol	Description	Unit	Min	Max
V_{CE}	$I_{CE} = 10mA, t_p = 0.1s$	$T_j = 25^\circ C$	1.6	V
V_{CE}		$T_j = 25^\circ C$	0	V
R_D		$T_j = 25^\circ C$	2	P
I_{CE}	$V_{CE} = 10V, V_{RE} = 10V, R_{MI}$	$T_j = 25^\circ C$	5	A
I_{CE}		$T_j = 25^\circ C$	0.2	mA

THERMAL RESISTANCES

Symbol	Description	Unit	Min	Max
$R_{\theta j-c}$		$^\circ C/W$	1.3	W
$R_{\theta j-a}$		$^\circ C/W$	0	W





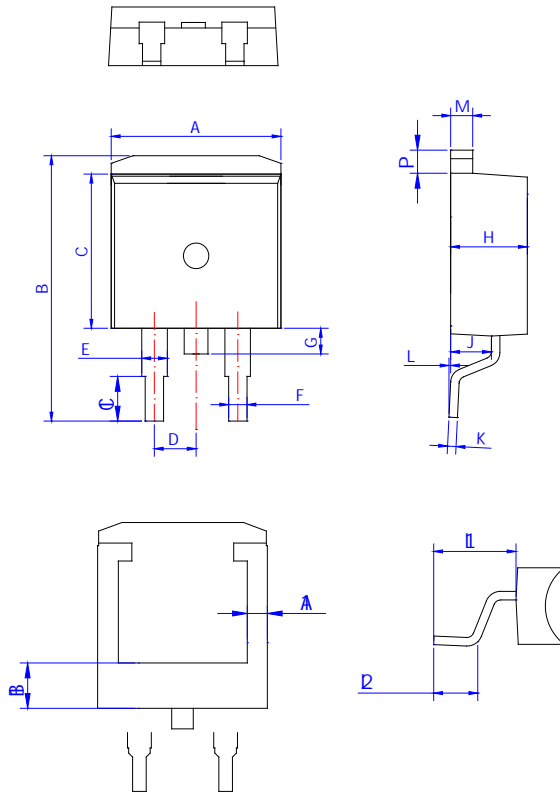
ORDERING INFORMATION

0	V _{BI} V _{RI} V	G An)	0	0	0
0 0 E 0	0	0	0 2 8	0	0
0 -0 -R				80	0

0 0

0	0	0
A .0	A 10	0
0	A 1.1	R0 0

PACKAGE MECHANICAL DATA



R	B					
	M			b		
	M	\bar{p}	M	M	\bar{p}	M
A	0		0	00		0
B	0		0	0		0
C	0		0	0		0
D	0		0	0		0
E	0		0	0		0
F	0		0	0		0
G						
H						
J						
K						

11
12
13
14
15
16
17
18
19
20
21
22
23
24
25
26
27
28
29
30
31
32
33
34
35
36
37
38
39
40
41
42
43
44
45
46
47
48
49
50
51
52
53
54
55
56
57
58
59
60
61
62
63
64
65
66
67
68
69
70
71
72
73
74
75
76
77
78
79
80
81
82
83
84
85
86
87
88
89
90
91
92
93
94
95
96
97
98
99
100

11



0 5 1

6 11