

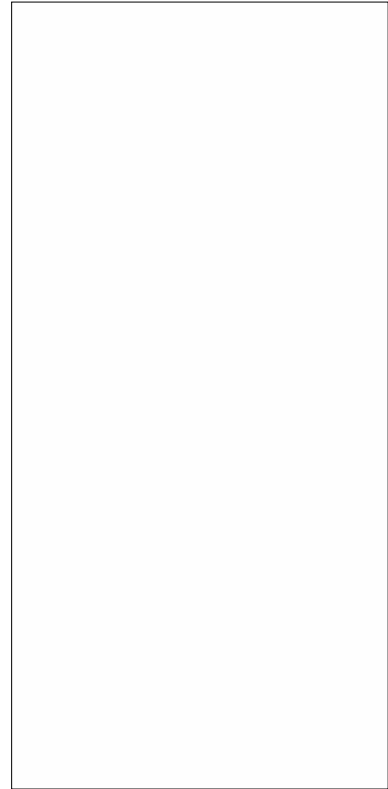


JCT620F 20A SCR

Rev.A.1.1

^ Z / W d / K E W

With high ability to withstand the shock loading of large current, JCT620F SCR provides high dV/dt rate with strong resistance to electromagnetic interference. It is especially recommended for use on solid state relay, motorcycle, power charger, T-tools etc. From all three terminals to external heatsink, JCT620F provides a rated insulation voltage of 2000 V_{RMS} , complying with UL standards



Peak gate current ($t_p=20\mu s$, $T_j=125$)	I_{GM}	5	A
Average gate power dissipation ($T_j=125$)	$P_{G(AV)}$	1	W
Peak gate power	P_{GM}	20	W
Peak pulse voltage ($T_j=25$; non-repetitive,off-state;FIG.7)	V_{pp}	0.5	kV

$> dZ / > , Z d Z / > / unless otherwise specified)$

Symbol	Test Condition	Value	Unit
--------	----------------	-------	------

KZ Z/E' /E&KZD d/KE

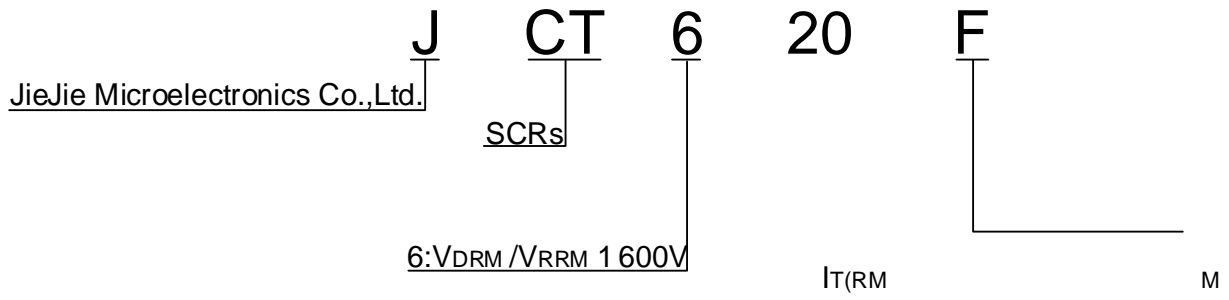


FIG.1: Maximum power dissipation versus RMS on-state current

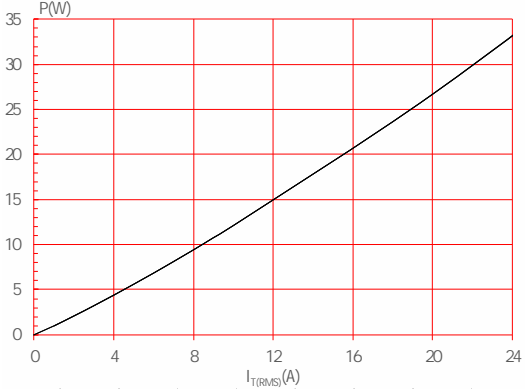


FIG.2: RMS on-state current versus case temperature

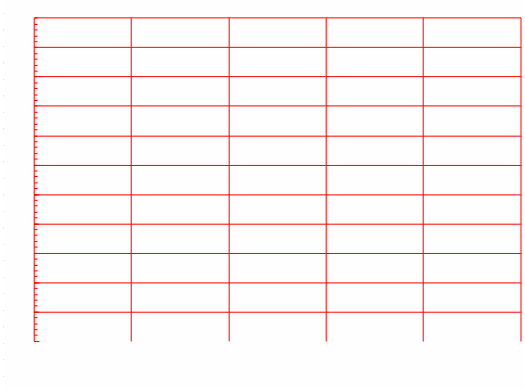
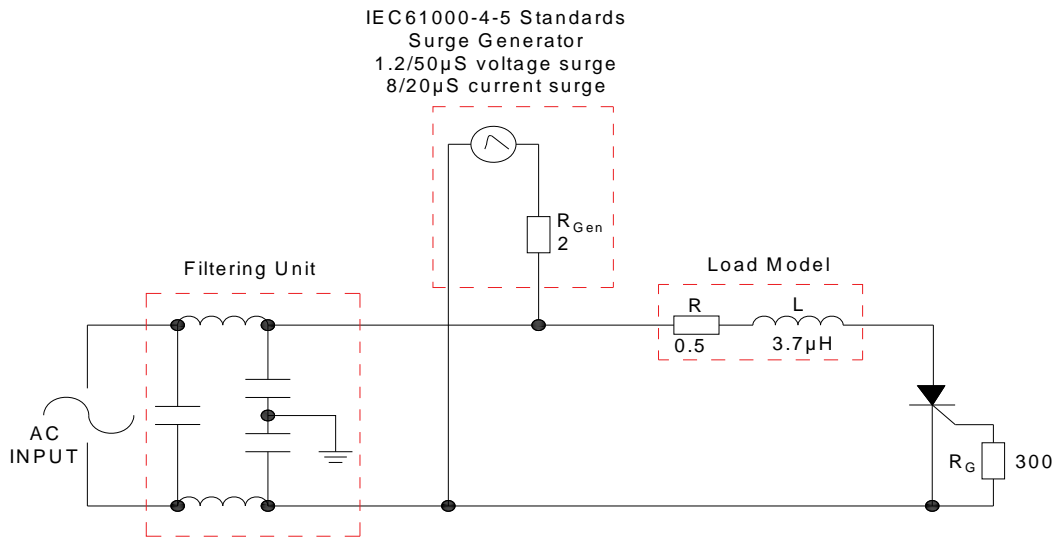


FIG.7 ÖTest circuit for inductive and resistive loads to IEC-61000-4-5 standards.



> &KZD/E' E ^K> Z/E'

KZ Z/E' /E & KZD d/KE

Order code	Voltage V_{DRM}/V_{RRM} (V)	IGT(mA)	Package	Base qty. (pcs)	Delivery mode
JCT620F	600	15	TO-220F(Ins)	50	Tube

Document Revision History

Date	Revision	Changes
Apr.13, 2023	A.1.0	Last update
Sept.29, 2025	A.1.1	Revise PACKAGE MECHANICAL DATA

W < ' D , E / > d



Information furnished in this document is believed to be accurate and reliable.
However, Jiangsu JieJie Microelectronics Co., Ltd. assumes no r