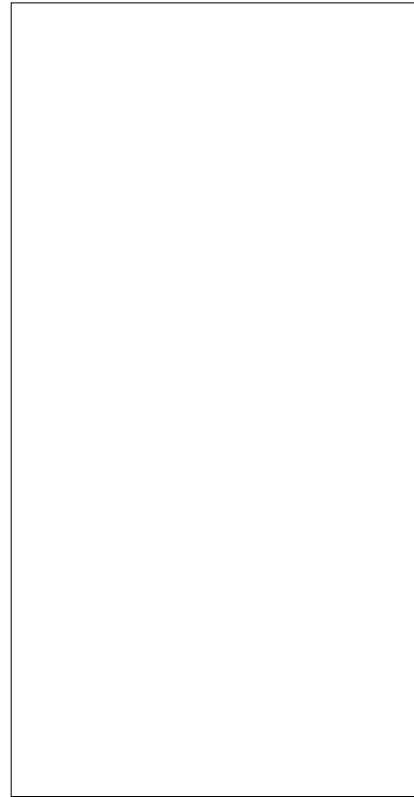


JCT655Z 55A SCR

Rev.A.1.1

DESCRIPTION:

With high ability to withstand the shock loading of large current, JCT655Z SCR provides high dV/dt rate with strong resistance to electromagnetic interference. It is especially recommended for use on solid state relay, motorcycle, power charger, T-tools etc. From all three terminals to external heatsink, JCT655Z provides a rated insulation voltage of 2500 V_{RMS} , complying with UL standards (File ref: E252906). Package TO-3P is RoHS compliant.



MAIN FEATURES

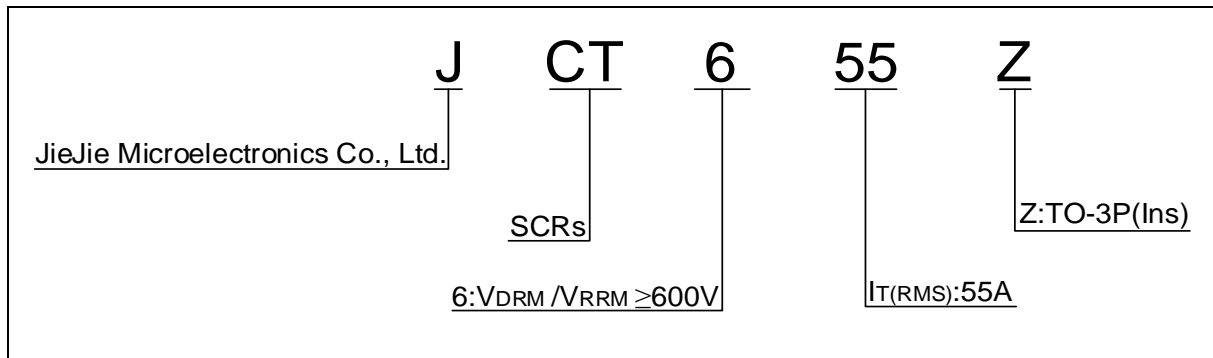
ABSOLUTE MAXIMUM RATINGS

Parameter	Symbol	Value	Unit
Storage junction temperature range	T_{stg}	-40-150	
Operating junction temperature range	T_j	-40-125	
Repetitive peak off-state voltage ($T_j=25^\circ C$)	V_{DRM}	600	V
Repetitive peak reverse voltage ($T_j=25^\circ C$)	V_{RRM}	600	V
Average on-state current ($T_c 060^\circ C$)	$I_{T(AV)}$	35	A
RMS on-state current ($T_c 060^\circ C$)	$I_{T(RMS)}$	55	A
Non repetitive surge peak on-state current ($t_p=10ms, T_j=25^\circ C$)	I_{TSM}	700	A
Non repetitive surge peak on-state current ($t_p=8.3ms, T_j=25^\circ C$)		750	

I^2t value for fusing ($t_p=10ms, T_j=25^\circ C$)

$I^2t_{tt} [(t.)1102 T.72 254.64 [(t) 0.00m [(0.7>T_j2$

ORDERING INFORMATION



MARKING

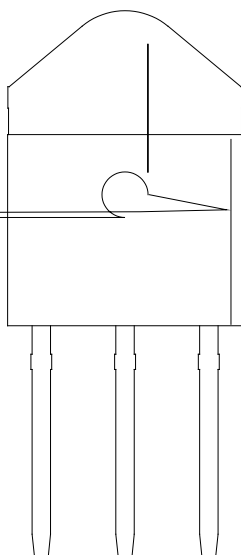


FIG.1: Maximum power dissipation versus RMS on-state current

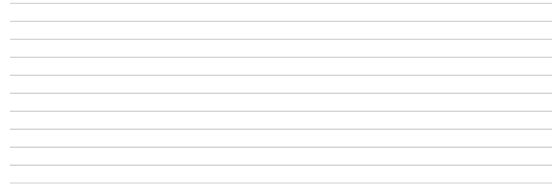
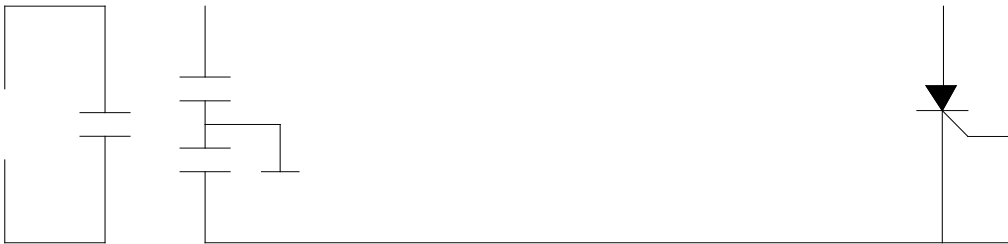


FIG.2: RMS on-state current versus case temperature

FIG.7 ÖTest circuit for inductive and resistive loads to IEC-61000-4-5 standards.



ORDERING INFORMATION

Order code	Voltage V_{DRM}/V_{RRM} (V)	IGT(mA)	Package	Base qty. (pcs)	Delivery mode
JCT655Z	600	10-50	TO-3P(Ins)	30	Tube

Document Revision History

Date	Revision	Changes
Apr.13, 2023	A.1	

JCT655Z

JieJie M