

e[_33 ee[_33 e[_33 e[_33

Peak gate power	P_{GM}	5	W
Peak pulse voltage ($T_j=25$; non-repetitive,off-state;FIG.7)	V_{pp}	0.5	kV

NOTE 1: Operating junction temperature T_j is up to 125 when a resistor "1k" is connected between Gate and Cathode. Without this resistor, the T_j is up to 110 only.

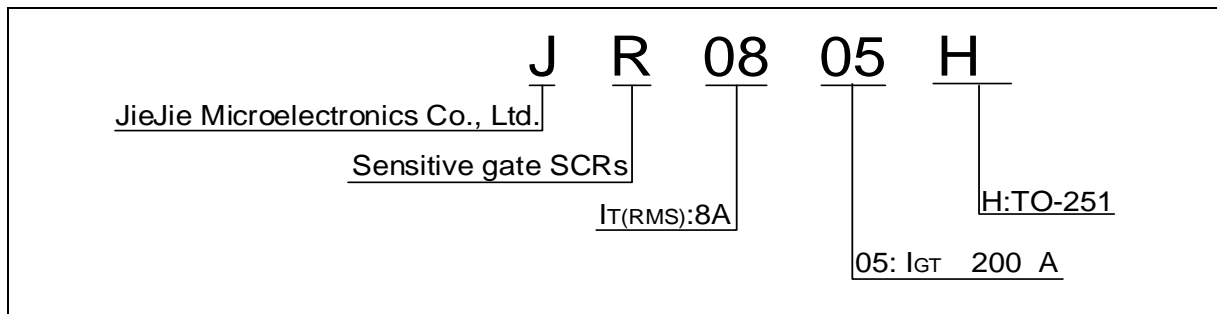
ELECTRICAL CHARACTERISTICS (T_j=25 (Unless otherwise specified))

Symbol	Test Condition	Value			Unit
		MIN.	TYP.	MAX.	
I_{GT}	$V_D=12V R_L=33$	-	-	200	A
V_{GT}		-	-	0.8	V
V_{GD}	$V_D=V_{DRM} T_j=125$	0.2	-	-	V
I_L	$I_G=1.2 I_{GT}$	-	-	6	mA
I_H	$I_T=0.1A$	-	-	5	mA
dV/dt	$V_D=400V T_j=125 R_{GK}=1k$	50	-	-	V/s
	$V_D=400V T_j=125 R_{GK}=220$	250	-	-	
t_{on}	$I_G=10mA I_A=20mA I_R=2mA$ $T_j=25$	-	2	-	s
t_{off}		-	50	-	

STATIC CHARACTERISTICS

Symbol	Parameter	Value(MAX.)	Unit
--------	-----------	-------------	------

ORDERING INFORMATION



MARKING

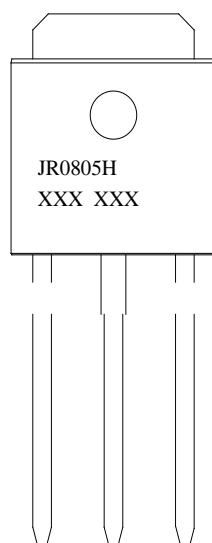
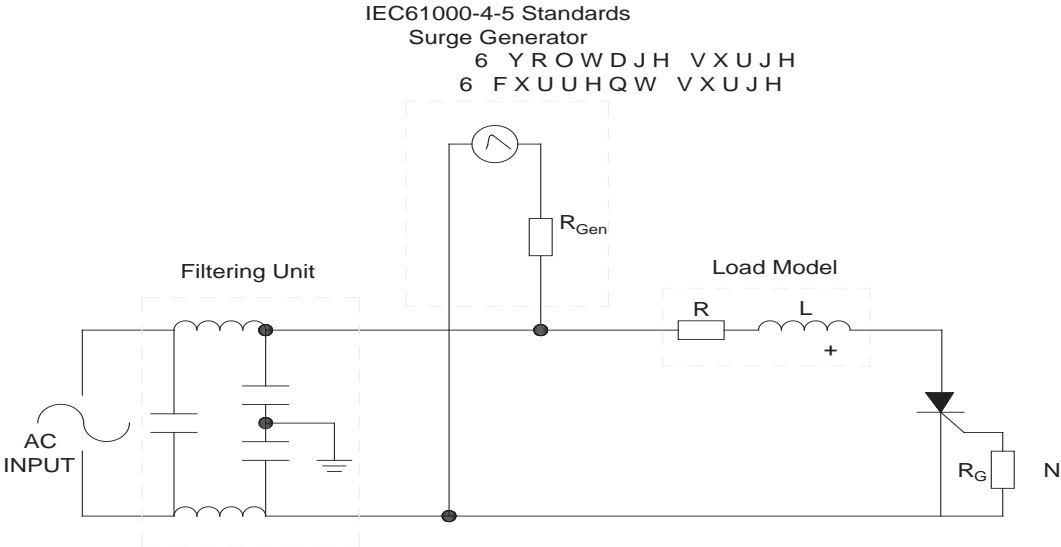


FIG.7 ÖTest circuit for inductive and resistive loads to IEC-61000-4-5 standards



ORDERING INFORMATION

Order code	Voltage V_{DRM}/V_{RRM} (V)	IGT(μ A)	Package	Base qty. (pcs)	Delivery mode
JR0805H	600	200	TO-251	80	Tube

Document Revision History

Date	Revision	Changes
Apr.10, 2023	A.1.0	Last update
Oct.16, 2025	A.1.1	Revise PACKAGE MECHANICAL DATA

PACKAGE MECHANICAL DATA

