



JX007L 0.8A Sensitive SCR

Rev.A.1.0

DESCRIPTION:

The JX007L SCR provides high dV/dt rate with strong resistance to electromagnetic interface. It is especially recommended for use on residual current circuit breaker, straight hair, igniter etc. Package SOT-23-3L is RoHS compliant.

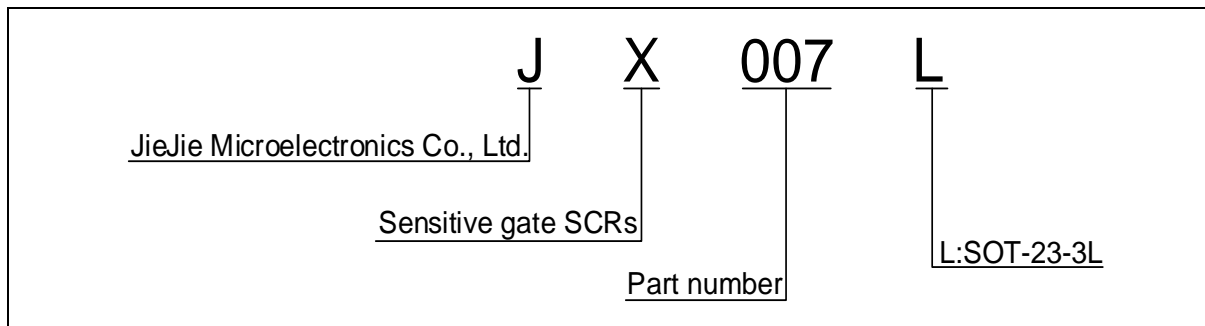
MAIN FEATURES

Symbol	Value	Unit
$I_{T(RMS)}$	0.8	A
V_{DRM} / V_{RRM}	500	V
I_{GT}	120	μA

ABSOLUTE MAXIMUM RATINGS

Parameter	Symbol	Value	Unit
Storage junction temperature range	T_{stg}	-40-150	
Operating junction temperature range	T_j	-40-125	
Repetitive peak off-state voltage (V_{DRM})		500	V

ORDERING INFORMATION



MARKING

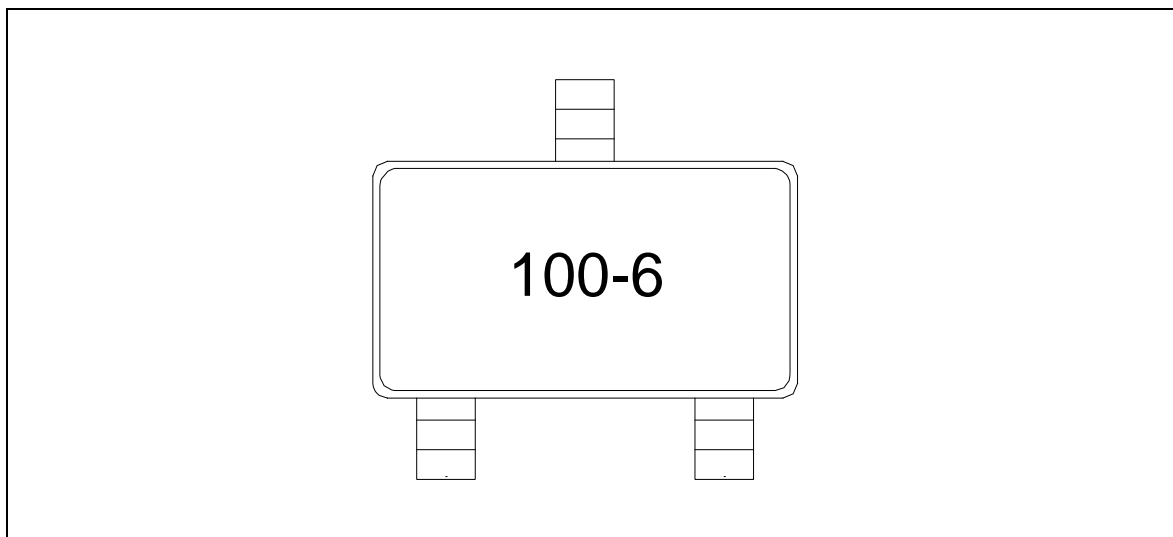
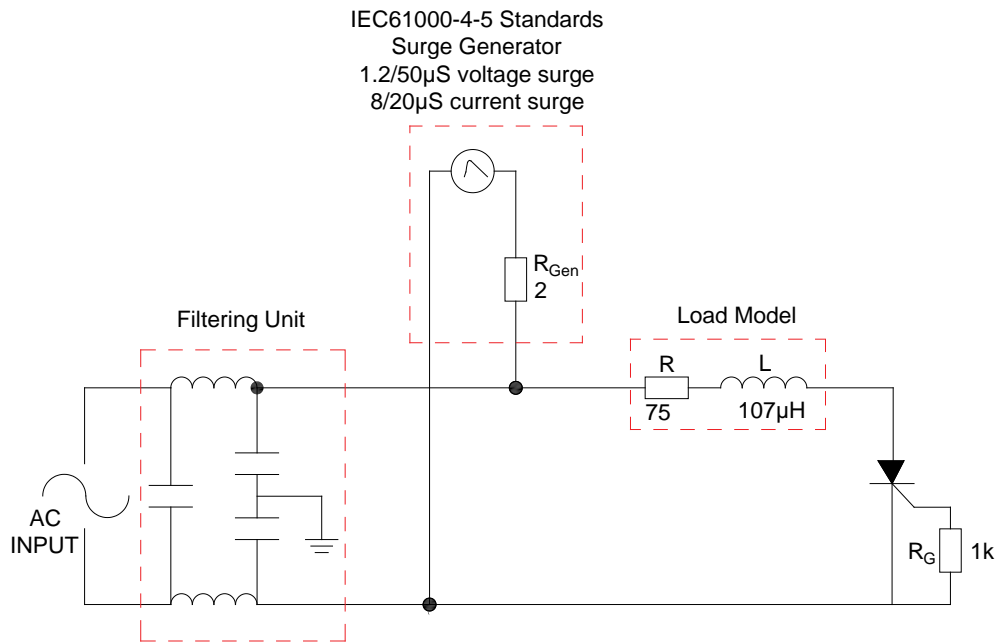


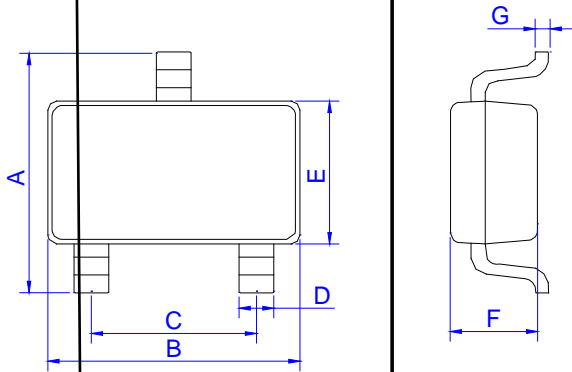
FIG.1: Maximum power dissipation versus RMS
on-state current

FIG.2: RMS on-state current versus case
temperature

FIG.8 Test circuit for inductive and resistive loads to IEC-61000-4-5 standards.




PACKAGE MECHANICAL DATA



Ref.	Dimensions					
	Millimeters			Inches		
	Min.	Typ.	Max.	Min.	Typ.	Max.
A	2.65		2.95	0.104		0.116
B		2.92			0.115	
C		1.90			0.075	
D	0.30		0.50	0.012		0.020
E		1.60			0.063	
F		1.17			0.046	
G		0.15			0.006	
H	0.25		0.55	0.010		

Information furnished in this document is believed to be accurate and reliable. However, Jiangsu JieJie Microelectronics Co., Ltd. assumes no responsibility for the consequences of use without consideration for such information nor use beyond it. Information mentioned in this document is subject to change without notice, apart from that when an agreement is signed, Jiangsu JieJie complies with the agreement. Products and information provided in this document have no infringement of patents. Jiangsu JieJie assumes no responsibility for any infringement of other rights of third parties which may result from the use of such products and information. This document supersedes and replaces all information previously supplied.

 is a registered trademark of Jiangsu JieJie Microelectronics Co., Ltd.
Copyright © 2025 Jiangsu JieJie Microelectronics Co., Ltd. All rights reserved.