



JX011V 1A Sensitive SCR

Rev.A.1.1

DESCRIPTION:

The JX011V SCR provides high dV/dt rate with strong resistance to electromagnetic interface. It is especially recommended for use on residual current circuit breaker, straight hair, igniter etc. Package SOT-223 is RoHS compliant.

MAIN FEATURES

Symbol	Value	Unit
$I_{T(RMS)}$	1	A
V_{DRM} / V_{RRM}	800	V
I_{GT}	200	A

ABSOLUTE MAXIMUM RATINGS

Parameter	Symbol	Value	Unit
Storage junction temperature range	T_{stg}	-40-150	
Operating junction temperature range	T_j	-40-125	

Repetitive peak off-state voltage (T_j

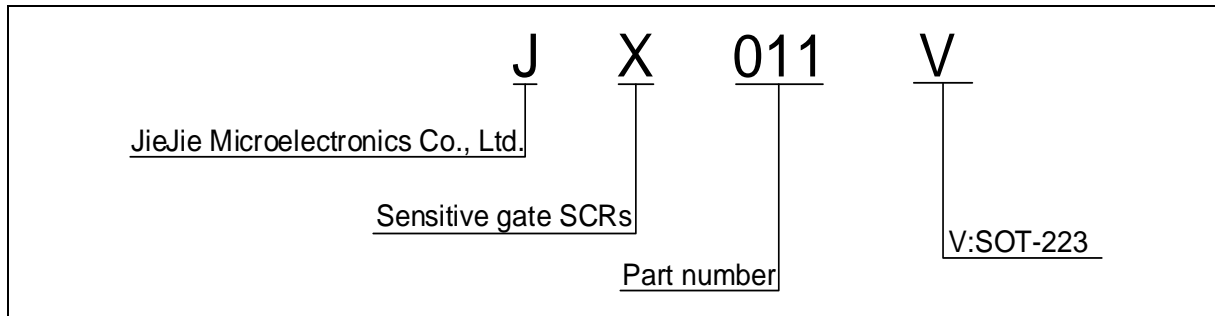
Peak gate power	P_{GM}	2	W
Peak pulse voltage ($T_j=25$; non-repetitive,off-state;FIG.8)	V_{pp}	1	kV

NOTE 1: Operating junction temperature T_j is up to 125 when a resistor 1k is connected between Gate and Cathode. Without this resistor, the T_j is up to 110 only.

ELECTRICAL CHARACTERISTICS ($T_j=25$ unless otherwise specified)

Symbol	Test Condition	Value	Unit
--------	----------------	-------	------

ORDERING INFORMATION



MARKING

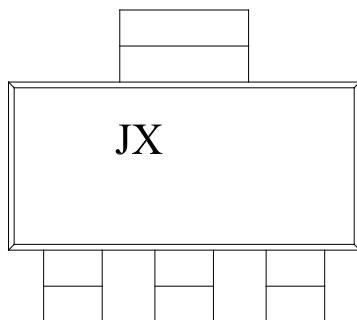


FIG.1: Maximum power dissipation versus RMS on-state current

FIG.2: RMS on-state current

FIG.7: Relative variations of gate trigger current, holding current and latching current versus junction temperature

ORDERING INFORMATION



PACKAGE MECHANICAL DATA

Dimensions

Millimeters

JX011

Information furnished in this document is believed to be accurate and reliable. However, Jiangsu JieJie Microelectronics Co., Ltd. assumes no responsibility for the consequences of use without consideration for such information nor use beyond it. Information mentioned in this document is subject to change without notice, apart from that when an agreement is signed, Jiangsu JieJie complies with the agreement. Products and information provided in this document have no infringement of patents. Jiangsu JieJie assumes no responsibility for any infringement of other rights of third parties which may result from the use of such products