



JX040V 2A Sensitive SCR

Rev.A.1.1

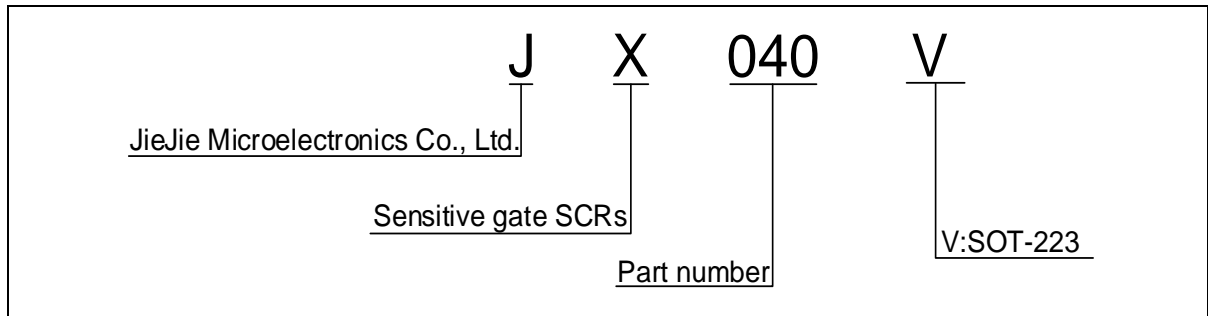
DESCRIPTION:

JX040V

JieJie Microelectronics Co., Ltd.

	GM	
--	----	--

ORDERING INFORMATION



MARKING

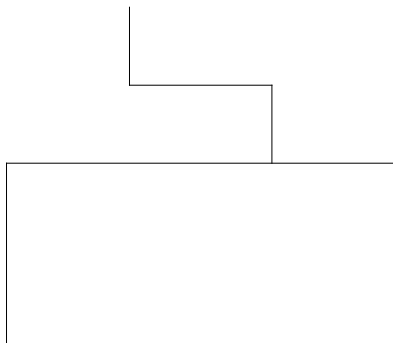


FIG.7: Relative variations of gate trigger current, holding current and latching current versus junction temperature

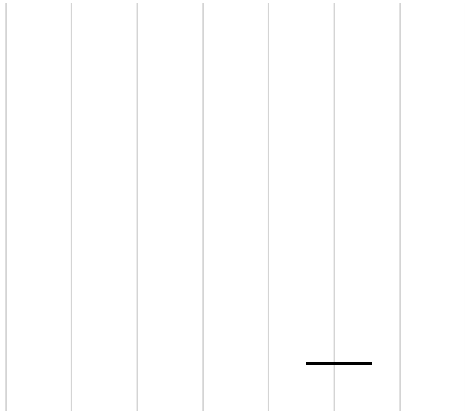


FIG.8

ORDERING INFORMATION



PACKAGE MECHANICAL DATA

Ref.	Dimensions					
	Millimeters			Inches		
	Min.	Typ.	Max.	Min.	Typ.	Max.
A	1.50					
	2.90					
	0.60					
H						
J						

DELIVERY MODE

Ref.	Dimensions					
	Millimeters			Inches		
	Min.	Typ.	Max.	Min.	Typ.	Max.
W	-		12.30	-		0.482
E	1.65	1.75	1.85	0.065	0.069	0.073
F	5.45	5.50	5.55	0.215	0.217	0.219
D0		1.55	1.60		0.061	0.063
D1		-	-			
P0	3.90	4.00	4.10	0.154	0.157	0.161
P1	7.90	8.00	8.10	0.311	0.315	0.319
P2	1.95	2.00	2.05	0.077	0.079	0.081
10P0	39.80	40.00	40.20	1.567	1.575	1.583
A0	6.85	6.95	7.05	0.269	0.273	0.276
B0	7.15	7.25	7.35			
K0	1.95	2.05	2.15			
T	0.20	0.25	0.30			

