



-, (-, (0, &52 (/ (&7521, &6 &2 /7'

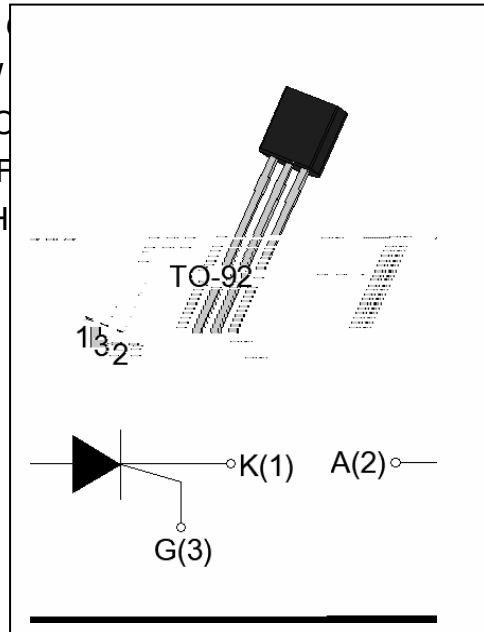
0&5

\$ 6HQVLWLYH 6&5

5HY \$

^ Z/Wd/KEW

7KH 0&5 ' 6&5 GSHUR KLJK G9
ZLWK VWURQJ UHVLVWDQFH W
LQWHUIDFH ,W LV HVSHFLDO
XVH RQ UHVLGXDO FXUUHQW F
KDLU LJQLWHU HWF 3DFNDJH
FRPSOLDQW



LF
J
VWUDLJK

D /E & dhZ ^

6\PERO	9DOXH	8QLW
,7 506		
9.50 9.50		9
,*7	"	\$

^Kbd D y/DhD Z d/E'^

3DUDPHWHU	6\PERO	9DOXH	8QLW
6WRUDJH MXSHUWLRQW HLPDQJH VWJ		7	
2SHUDWLQJWHKPSHULDRQXUH UDQMH		7 7	
5HSHWLWLYH SHDN RMI VWDWH 5YROWDJH		7	9
5HSHWLWLYH SHDN WHYHUVH 5YROWDJH		7	9
\$YHUDJH RQ VWDWH FXUUHQW 7 \$7			
506 RQ VWDWH FXUUHQW 7 ,7 506			
1RQ UHSHWLWLYH SHDN RQ UJMDWH FXUUHQW W PV M 7			\$
1RQ UHSHWLWLYH SHDN RQ UJMDWH FXUUHQW W PV M 7			\$
,W YDOXH IRU PXVLMQJ W ,W			V\$
&ULWLFDO EDWGRWDWHHFXUUHQW ; h,*7 l +]M 7			\$ V
3HDN JDWH FXUUHQW W ,0			\$
\$YHUDJH JDWH SRZHU GLVVLSDWLRQ 7			

7 (/Æ

KWWS ZZZ MMZGJ FRP

0 & 5



-LH-LH 0LFURHOHFWRQLF

3 HDN JDWH SRZHU	3*0		
3 HDN SXOVH YROWDJH 7M QRQ UHSHWLWLYH RII VWDWH), *	9SS		

9

127(2SHUDWLQJ MXQFWLRQ VSHFNDQXDUHHVLVWRU " N LV FR
EHWZHHQ *DWH DQG &DWKRGH LLWKRXWVXQV UHVLVWRU WKH 7

> dZ/ > , Z d Z/Ad XQOHVV RWKHUZLVH VSHFLILHG

6\PERO	7HVW & RQGLWLRQ	9DOXH			8QLW
		0,1	7<3	0\$;	
,*7					\$
9*7	9 9 5				9
9*	9 9 50 7M				
/	, * 7				P\$
+	,7 \$				P\$
G9 GW	9 9 7 5 * NM 9 9 7 5 *				9 V
WQ	, P\$ \$, P\$ 5, P\$				V
W11	7M				V

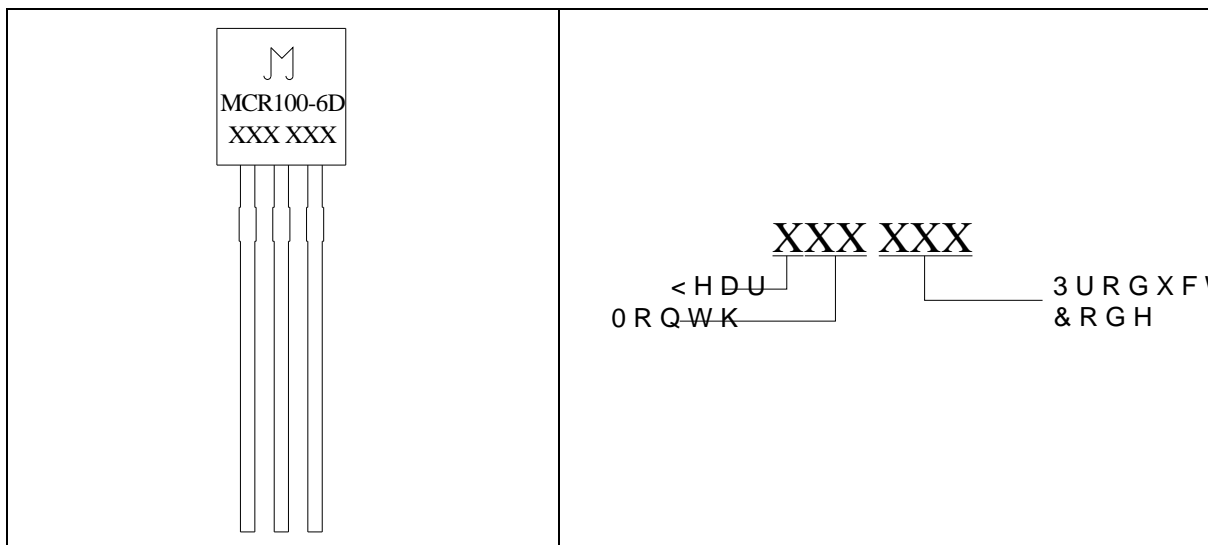
^d d/ , Z d Z/^d/ ^

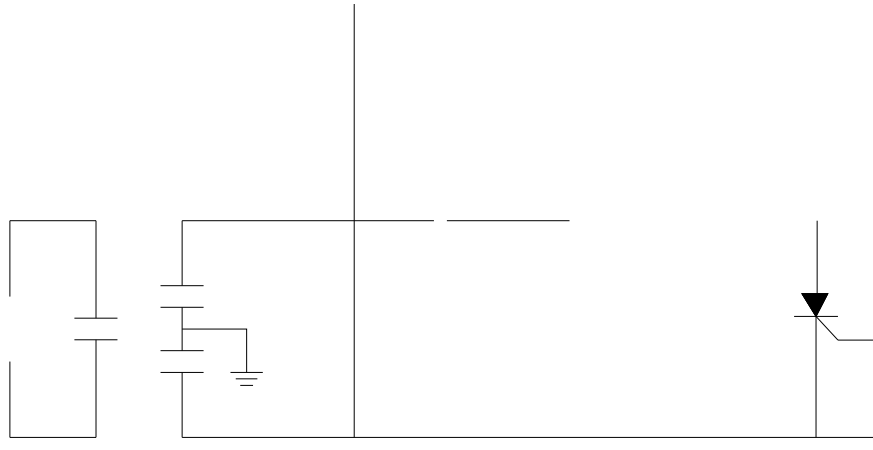
6\PERO	3DUDPHWHU	9DOXH 0\$;	8QLW
970	7 \$ 3V V M		

5

7 (/Æ		KWWS	ZZZ	MMZGJ	FRP
-------	--	------	-----	-------	-----

D Z < / E '





0 & 5

 -LH-LH 0LFURHOHFWURQLF

KZ Z/E' /E&KZD d/KE

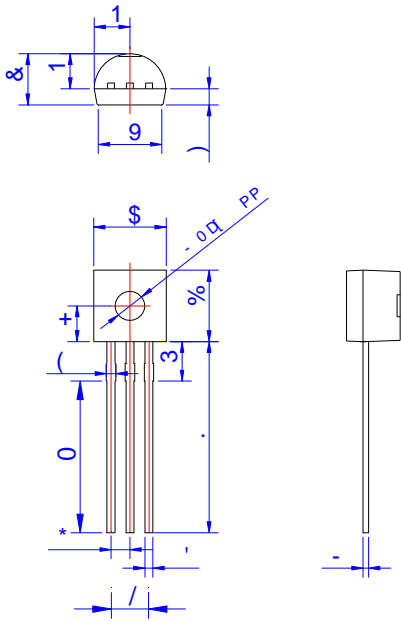
2UGHU FR	9ROWDJ 9.50 9.50 9	,*7 \$	3DFNDJ	%DVH T SFV	'HOLYHU\ PRGH
0 & 5		"	72		%XON 3DFN
0 & 5 ' 75					7DSH 5HHO

'RFXPHQW 5HYLVLRQ +LVWRU\

'DWH	5HYLVLRQ	&KDQJHV
0D\	\$	/DVW XSGDWH
0DU	\$	5HQH&.\$*(0(&+\$1,&\$/'\$7\$
6HSW	\$	5HYLVLRQ&.\$*(0(&+\$1,&\$/'\$7\$

0 & 5

W < ' D , E / > d



5 HI	'LPHQVLRQV					
	0LOOLPHWHUV ,QFKHV					
	0LQ	7\S	0D[0LQ	7\S	0D[
\$						
%						
&						
'						
(
)						
*						
+						
-						
.						
/						
0						
1						
3						
9						

0 & 5

>/s Zz DK

3\$&.\$*(287/,1(;%\$* 3&6	,11(5 %2; 3&6	&\$5721 %2; 3&6
-----------	---------	--------------	------------------	--------------------

72	%XON 3DFN
----	-----------

,QIRUPDWLRQ IXUQXFKBQ ILQ VIKQVHGMB DORGEUHDFLDXLDDH +
 -LDQJVVX -LH-LH 0L&URRHOWHGFWDVROXLFVQV QR UHVSQRQVLELOLW
 FRQVHTXHQFHV RI XGHZDWKRQWRFRQXQRU LQMRLEFDWQBQLW
 ,QIRUPDWLRQ PHQWLRQHGLQ WKLVLGRFXPHQW LV VXEMHFW
 WKDW ZKHQ DQ DJUHHLDQQWXL-VLW-LJQFWRSIODJUHZIPMIQW
 3URGXFWV DQG LQIRURDQWKLIRQGRURXYLGHG KDYH QR LQIULQ.
 -LDQJVVX -LH-LH DVVXIPHLVDQV\UIRUSRQWIRQKHQJUIPJQWW RRIW
 SDUWLHV ZKLFK PDKXVXFDIWXURKPSWBBBFWRQDQILQGRFXP
 VXSHUVHGHV DQG UHSODFHV DOO LQIRUPDWLRQ SUHYLRX
 LV D UHJLVWHUHGQWJDXGLHDUNRUF-URHOWHGFWURQLFV &R
 &RS\UKJKW -LDQJVVX -LH-LH 0LFURHOHFWURQLFV &R