



$V_p$ ( $T_j = 25^\circ\text{C}$ ; $V_{GS} = 0\text{V}$ )	4	V
--------------------------------------------------------------	---	---

ELECTRICAL CHARACTERISTICS

Symbol	Test Condition	Quadrant	Value	Unit
$I_G$	$V_{DS} = 10\text{V}$ , $L = 1\text{mH}$	- -	0	A
$V_G$		- -	1	V
$V_G$	$V_{DS} = 10\text{V}$ , $T_j = 25^\circ\text{C}$ $R_L = 1\text{k}\Omega$	- -	0	V
$I_L$	$I_G = 2\text{mA}$	-	0	A
			0	A
$I_H$	$I_T = 10\text{mA}$		2	A
$V_{GS}$	$V_{DS} = 0\text{V}$ , $T_j = 25^\circ\text{C}$		0	V/ $\mu\text{s}$
$(dV/dt)_c$	$(dV/dt)_c = 20\text{V}/\mu\text{s}$ , $T_j = 25^\circ\text{C}$		5	A
$t_o$	$I_G = 10\text{mA}$ , $I_A \geq 0\text{mA}$ , $I_{RD} = 10\text{mA}$ $T_j = 25^\circ\text{C}$	TP	3	$\mu\text{s}$
$t_b$			0	

STATIC CHARACTERISTICS

Symbol	Parameter	Value(MAX.)	Unit
$V_M$	$I_M = 5\text{mA}$ , $p = 0.5$ , $T_j = 25^\circ\text{C}$	1.4	V
$V_D$	$T_j = 25^\circ\text{C}$	0	V
$R_D$	$T_j = 25^\circ\text{C}$	2	m
$I_M$	$V_{DS} = 10\text{V}$ , $V_{GS} = 0\text{V}$ , $V_{RS} = 10\text{mV}$	5	$\mu\text{A}$
$I_{RM}$		$T_j = 25^\circ\text{C}$	0

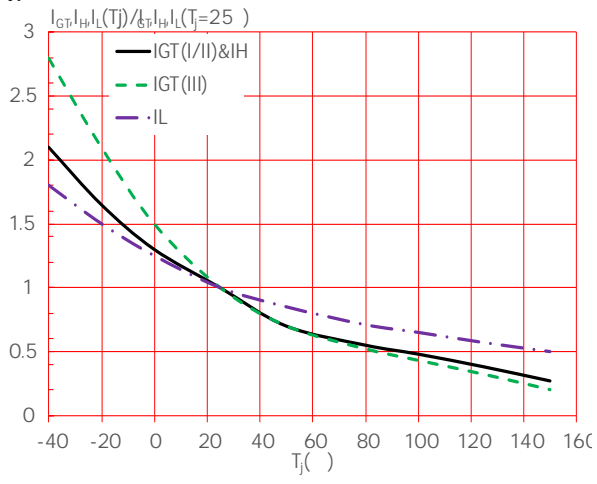
THERMAL RESISTANCES

Symbol	Parameter	Value	Unit
$R_{th(j-c)}$	$\text{m}^2/\text{m}^2$	2	$^\circ\text{C}/\text{W}$
$R_{th(j-a)}$	$\text{m}^2/\text{m}^2$ (2)	5	$^\circ\text{C}/\text{W}$





FIG.7: ~~Figure~~  
~~Figure~~  
~~Figure~~

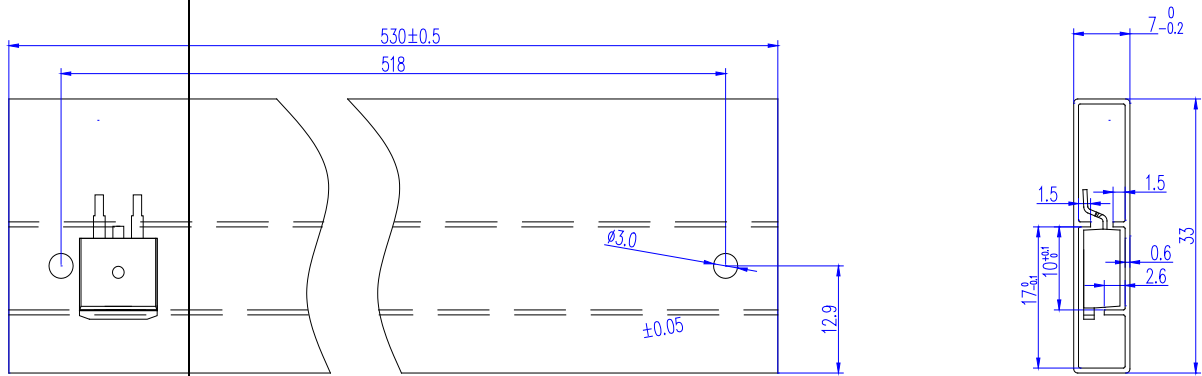








DELIVERY MODE



PACKAGE	OUTLINE	TUBE (PCS)	INNER BOX (PCS)	PER CARTON
---------	---------	------------	-----------------	------------

XXXXXXXXXX  
XXXXXXXXXX  
XXXXXXXXXX  
XXXXXXXXXX  
XXXX  
XXXXXXXXXX  
XXXXXXXXXX

en