



# JIEJIE MICROELECTRONICS CO., LTD.

---

JST04C-800BW 4A TRI[ (0)-0.6 (608 -T)-25.4 9(0)-0.6 (3 (613.7 (112]TJ 0 T∅.0T∅.50

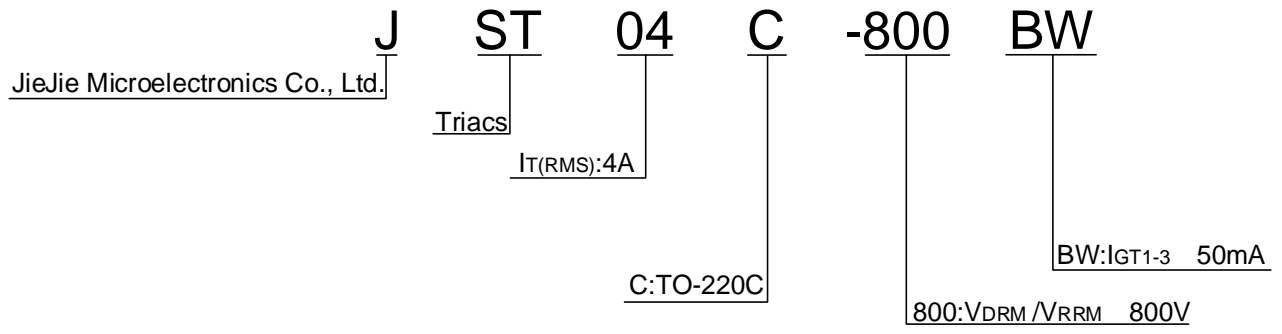
Peak pulse voltage ( $T_j=25^\circ\text{C}$ ; non-repetitive, off-state; FIG.7)	$V_{pp}$	4	kV
--	----------	---	----

**ELECTRICAL CHARACTERISTICS** (unless otherwise specified)

$S_{pn}$	$T_{ctd}$	$Q_{td}$	$V_a$	$U_h$
----------	-----------	----------	-------	-------

$V_D=12V$   $R_L=33\Omega$

ORDERING INFORMATION







**ORDERING INFORMATION**

Order	V <sub>g</sub> V <sub>DRM</sub> /V <sub>RPM</sub> (V)	IGT(A <sub>g</sub> )	P <sub>g</sub>	B <sub>g</sub> (p)	D <sub>g</sub> ch
		- -			
JST04C-800BW	800	50	TO-220C	50	T <sub>g</sub>

**Changes**

Date	Revision	Changes
Apr.11, 2023	A.1.0	Last updated
Oct.15, 2025	A.1.1	Revise PACKAGE MECHANICAL DATA

PACKAGE MECHANICAL DATA



