

# JIEJIE MICROELECTRONICS CO., LTD.

---

JST04V-800BW 1A TRIAC

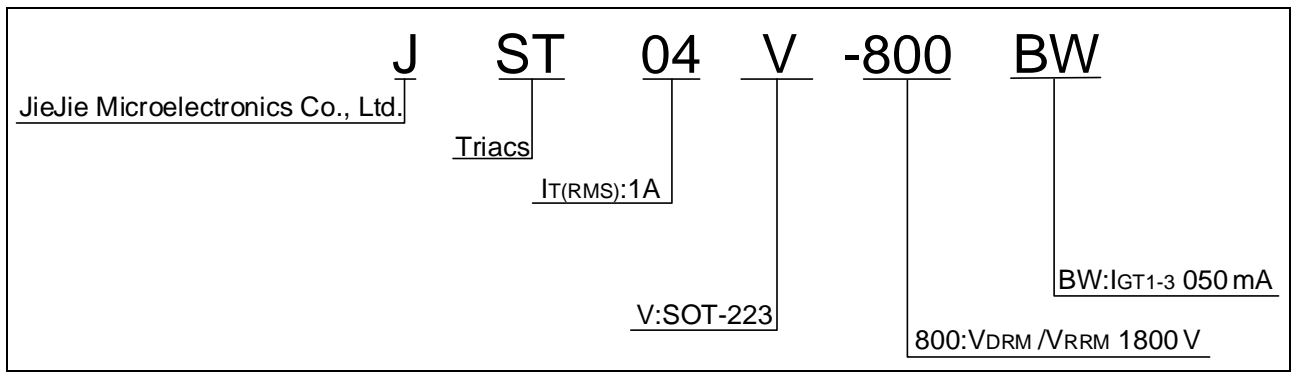
Rev.A.1.1 5 >>BD

Peak pulse voltage ( $T_j=25$ ; non-repetitive, off-state; FIG.8)	$V_{pp}$	4	kV
--	----------	---	----

## ELECTRICAL CHARACTERISTICS (unless otherwise specified)

Symbol

ORDERING INFORMATION



MARKING

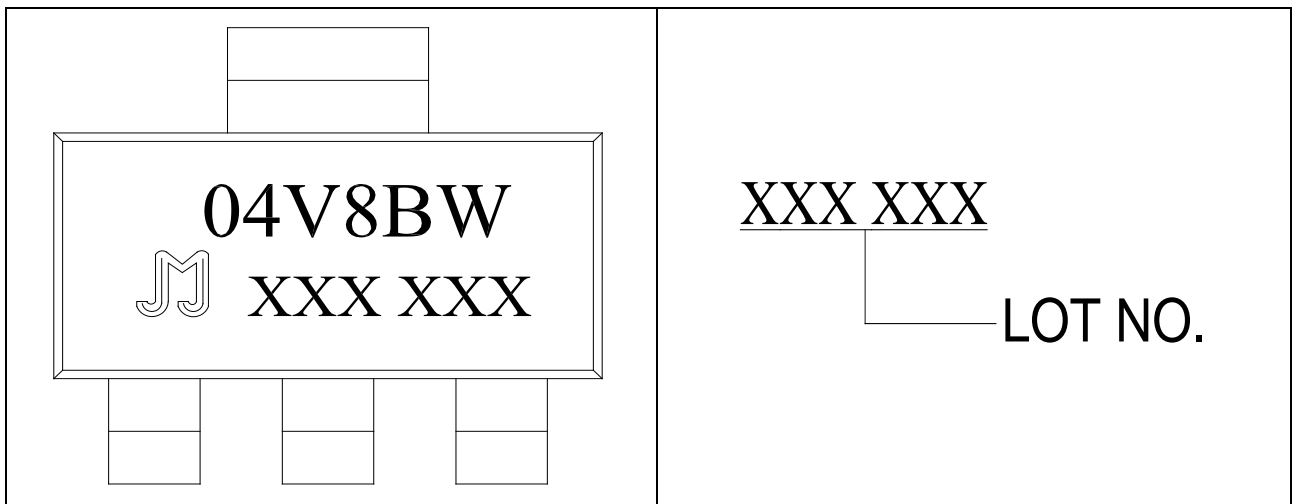


FIG.1: Maximum power dissipation versus RMS on-state current

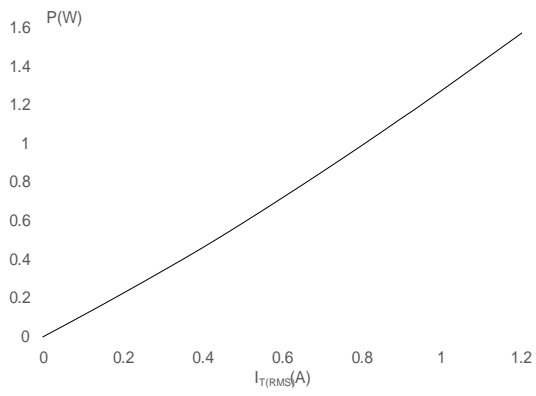


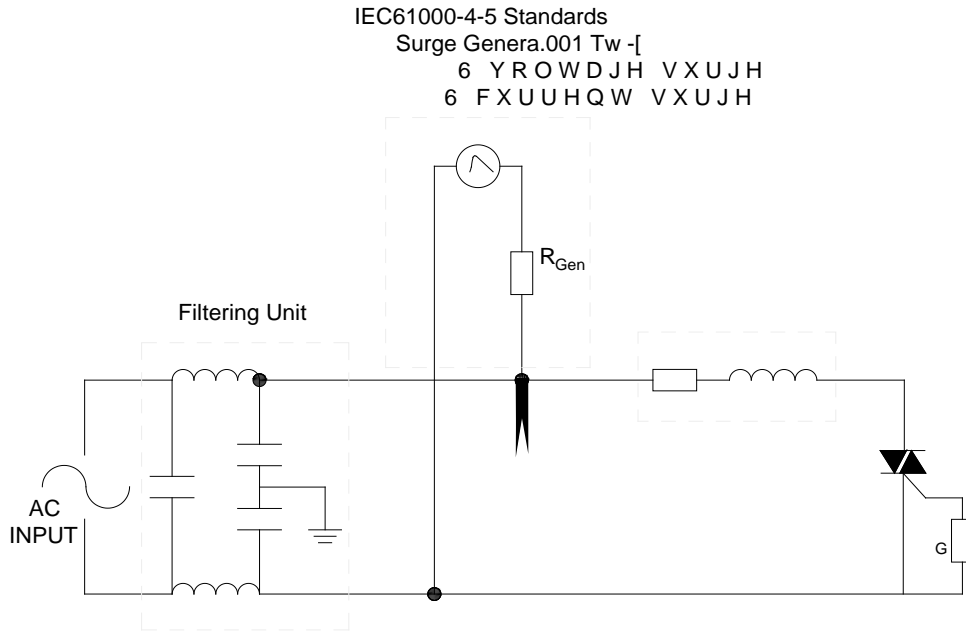
FIG.2: RMS on-state current versus case temperature

0.8

FIG.7: Relative variations of gate trigger current, holding current and latching current versus junction temperature

|

FIG.8 ÖTest circuit for inductive and resistive loads to IEC-61000-4-5 standards





JST04V-800BW

DELIVERY MODE

Ref.	Dimensions					
	Millimeters			Inches		
	Min.	Typ.	Max.	Min.	Typ.	Max.
W						
E						
F						
D0						
D1						
P0						
P1						
P2						
10P0						
A0						

