

-67 + & \$ 75, \$&

5HY \$

^ Z/Wd/KEW

7KH -67 + & WUWDEQLV IRXL JHQHUDO SXUSR VH
\$& VZLWFKLQJ ,W FDQ EH XVHG DV DQ 21 2)) IXQFWLRQ LQ
DSSOLFDWLRQV VXHFJXDDWKHFDQVLIQQGXFWLRQ PRWRU
VWDUWLQJ FLUFKQWVRIORRSHKUDWLRQ LQ OLJKW
GLPPHUV PRWRURSOHHGVFRQMP 7 WHUPLQDOV
WR H[WHUQDO KHDVVLQV SDFNDJHP SOLDQW

D /E & dhZ ^

^K>hd D y/DhD Z d/E'^

3DUDPHWHU	6\PERO	9DOXH	8QLV
6WRUDJH MX70\$DZQ4W%0D* DŽ5,T2& „Hi8%C“ DŽó,TC“ DŽó,T!đ DŽó,TXAa 30			

-67 + &

-LH-LH 0LFURHOHFWURQL

> dZ/ > , Z d Z ~~M~~d/ XQOHVV RWKHUZLVH VSHFLILHG

6\PERO	7HVW &R	QGLWLRQ	4XDGUDQW	9DOXH
,*7	9 9 5		0\$;	P\$
9*7		\$//	0\$;	9
9*	9 9 ⁵⁰ 7 _M 5/ N	\$//	0,1	9

POPD
ö

- 6 7 + &

- LH-LH 0LFURHOHFWURQL

), * 0D[LPXP SRZHU GLVVLSDWLRQ YHUVXU 506 500 VWDWH FXUUHQW YH
RQ VWDWH FXUUHQW WHPSHUDWXUH

iò W-t*

iò

íí

íí

ò

ò

ò

í

í

i

í
/d-z0*

ò

ò

ò

í

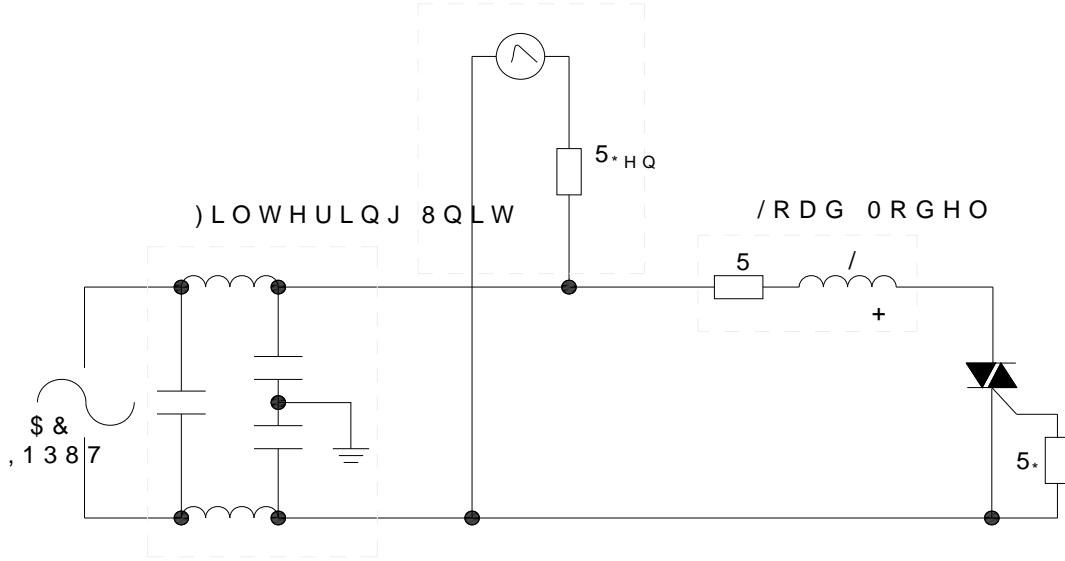
í

), * 6XUJH SHDN RQ VWDWH FXUUHQW YHUVXV
QXPEHU RI F\FOHV

|

), * Ö7HVW FLUFXLW IRU LQGXFWLYH DQG UMDQGDUGV OR

, (& 6WDQGDUGV
6XUJH *HQHUDWRU
6 YROWDJH VXUJH
6 FXUUHQW VXUJH



> &KZD/E' E ^K> Z/E'

5HIHU WR WKH DSSOLFDFWLRQ QRWH 3\$RUMPLED \7 KQVRWUJK FKVRORHQ 3 DIRNUD JH
-LH-DH} œ} o šœ}v] •

-67 + &

-LH-LH 0LFURHOHFWURQL

KZ Z/E' /E&KZD d/KE

2UGHU FR	9ROWDJ 9 ⁵⁰ 9 ⁵⁰ 9	,*7 P\$		3DFNDJ	%DVH SFV	'HOLYHU\ PRGH
		H I J	K			
-67 + &				72		7XEH

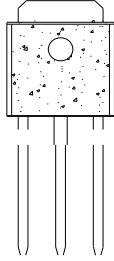
'RFXPHQW 5HYLVLRQ +LVWRU\

'DWH	5HYLVLRQ	&KDQJHV
\$SU	\$	/DVW XSGDWHG
2FW	\$	5HYLVH 3\$&.\$*(0(&+\$1,&\$/ '\$7\$

- 67 + &

- LH-LH 0LFURHOHFWURQL

W < ' D , E / > d



,QIRUPDWLRQ IXUQXPHQW LQ WKOLHGRHG WR EH DFFXUDWH D
 -LDQJVV -LH-LH 0LFURHOHFWURQLFV & W\ I/RUGWDMV XRIQW HQRX
 XVH ZLWKRXW FRQFKGLQJ BWRBQURQ QRU XVH EHRQG LW ,
 WKLV GRFXPHQWKDQVXZNLMKVR XWR QRKDLWHZ KDSD DQ DJRPHPH
 VLJQH G -LDQJVS O-LHVLZILFRPWKH DJUHHPHQW
 3URGXFWV DQG LQIRUPDWKLRQ GRFXPHQW KDYH QR LQIULQJ
 -LDQJVV -LH-LH DVVXPHLOQR\URVSRQWIRQKHQJWHJKWW RRI WH
 SDUWLHV ZKLFK PDN XVVXROIW XFRPSWB BFWRQDQK ILQGRFXPH
 VXSHUVHGHV DQG UHSODFHV DOO LQIRUPDWLRQ SUHYLRXV
 LV D UHJLVWHUHGDQJDXGLHDUN RUF-URHWHFWURQLFV &
 &RS\ULJKW < -LDQJVRHHEMURQUEYK&RV U/HGHUSYHG