

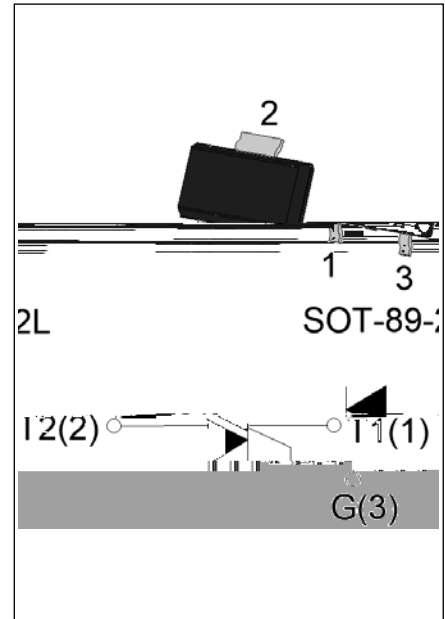


## JST131N2-800DS 1A TRIAC

Rev.A.1.1

### DESCRIPTION:

The JST131N2-800DS triac is suitable for general purpose AC switching. It can be used as an ON/OFF function in applications such as heating regulation, induction motor starting circuits, for phase control operation in light dimmers, motor speed controllers. Package SOT-89-2L is RoHS compliant.



### MAIN FEATURES

Symbol	Value	Unit
$I_{T(RMS)}$	1	A
$V_{DRM}/V_{RRM}$	800	V
$I_{GT} / / /$	5/5/5/10	mA

### ABSOLUTE MAXIMUM RATINGS

Parameter	Symbol	Value	Unit
Storage junction temperature range	$T_{stg}$	-40 - 150	
Operating junction temperature range	$T_j$	-40 - 125	
Repetitive peak off-state voltage ( $T_j=25^\circ C$ )	$V_{DRM}$	800	V
Repetitive peak reverse voltage ( $T_j=25^\circ C$ )	$V_{RRM}$	800	V
RMS on-state current ( $T_c = 58^\circ C$ )	$I_{T(RMS)}$	1	A
Non repetitive surge peak on-state current (full cycle, $t_p=20ms$ , $T_j=25^\circ C$ )	$I_{TSM}$	16.5	A
Non repetitive surge peak on-state current (full cycle, $t_p=16.6ms$ , $T_j=25^\circ C$ )		18	
$I^2t$ value for fusing ( $t_p=10ms$ , $T_j=25^\circ C$ )	$I^2t$	1.36	$A^2s$
Critical rate of rise of on-state current ( $I_G=2 I_{GT}$ , $f=100Hz$ , $T_j=125^\circ C$ )	$di/dt$	50	$A/\mu s$
		30	
Peak gate current ( $t_p=20\mu s$ , $T_j=125^\circ C$ )	$I_{GM}$	2	A
Average gate power dissipation ( $T_j=125^\circ C$ )	$P_{G(AV)}$	0.5	W
Peak gate power	$P_{GM}$	5	W
Peak pulse voltage ( $T_j=25^\circ C$ ; non-repetitive, off-state; FIG.8)	$V_{PP}$	4	kV







**JST131N2-800DS**

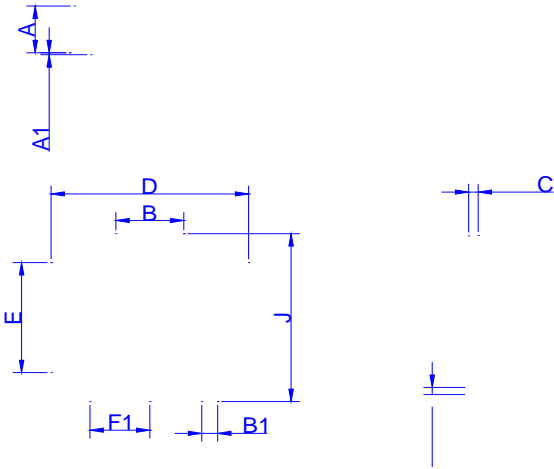
**JieJie M**

**JST131N2-800DS**

**ORDERING INFORMATION**

Order code	Voltage $V_{DRM}/V_{RRM}$ (V)	IGT(mA)		Package	Base qty. (pcs)	Delivery mode
		-	-			
JST131N2-800DS	800	5	10	SOT-89-2L	4,000	Tape & Reel 836361 0 Td

PACKAGE MECHANICAL DATA



DELIVERY MODE

Ref.	Dimensions					
	Millimeters			Inches		
	Min.	Typ.	Max.	Min.	Typ.	Max.
E	1.65	1.75	1.85	0.065	0.069	0.073
F	5.45	5.50	5.55	0.215	0.217	0.219
P2	1.90	2.00	2.10	0.075	0.079	0.082
D	-	1.50	1.60	-	0.059	0.063
D1	1.50			0.059		
P0	3.90	4.00	4.10	0.154	0.157	0.161
10P0	39.80	40.00	40.20	1.567	1.575	1.583
W			12.30			0.482
P	7.90	8.00	8.10	0.311	0.315	0.319
A0	5.20	5.30	5.40	0.204	0.208	0.212
B0	4.80	4.90	5.00	0.188	0.192	0.196
K0	1.75	1.85	1.95			
t	0.20	0.25	0.30			
		3°			5°	

Information furnished in this document is believed to be accurate and reliable. However, Jiangsu JieJie Microelectronics Co., Ltd. assumes no responsibility for the consequences of use without consideration for such information nor use beyond it. Information mentioned in this document is subject to change without notice, apart from that when an agreement is signed, Jiangsu JieJie complies with the agreement.

Products and information provided in this document have no infringement of patents. Jiangsu JieJie assumes no responsibility for any infringement of other rights of third parties which may result from the use of such products and information. This document supersedes and replaces all information previously supplied.

 is a registered trademark of Jiangsu JieJie Microelectronics Co., Ltd.  
Copyright © 2025 Jiangsu JieJie Microelectronics Co., Ltd. All rights reserved.