



JST134U-600T 1A TRIAC

Rev

DESCRIPTION:

The JST134U-600T triac is suitable for general purpose AC switching. It can be used as an ON/OFF function in applications such as heating regulation, motor starting circuits, for phase control in light dimmers, motor speed controllers. It is RoHS compliant.

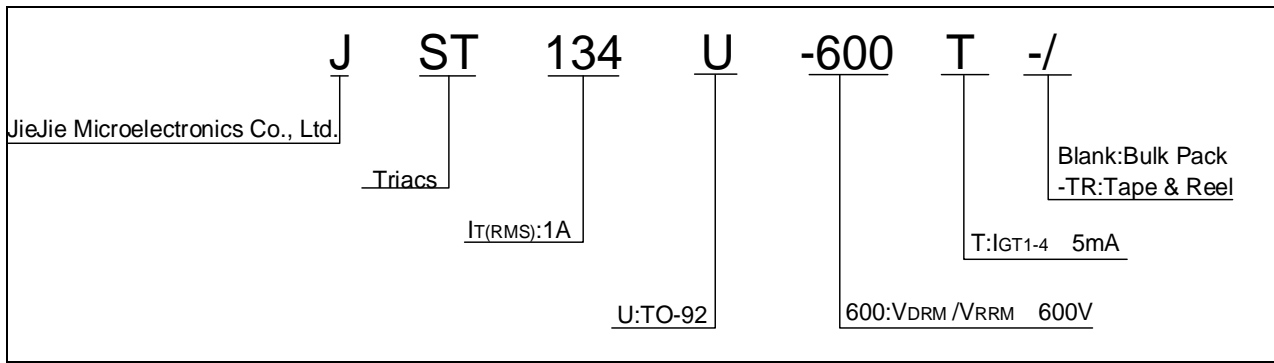
MAIN FEATURES

ABSOLUTE MAXIMUM RATINGS

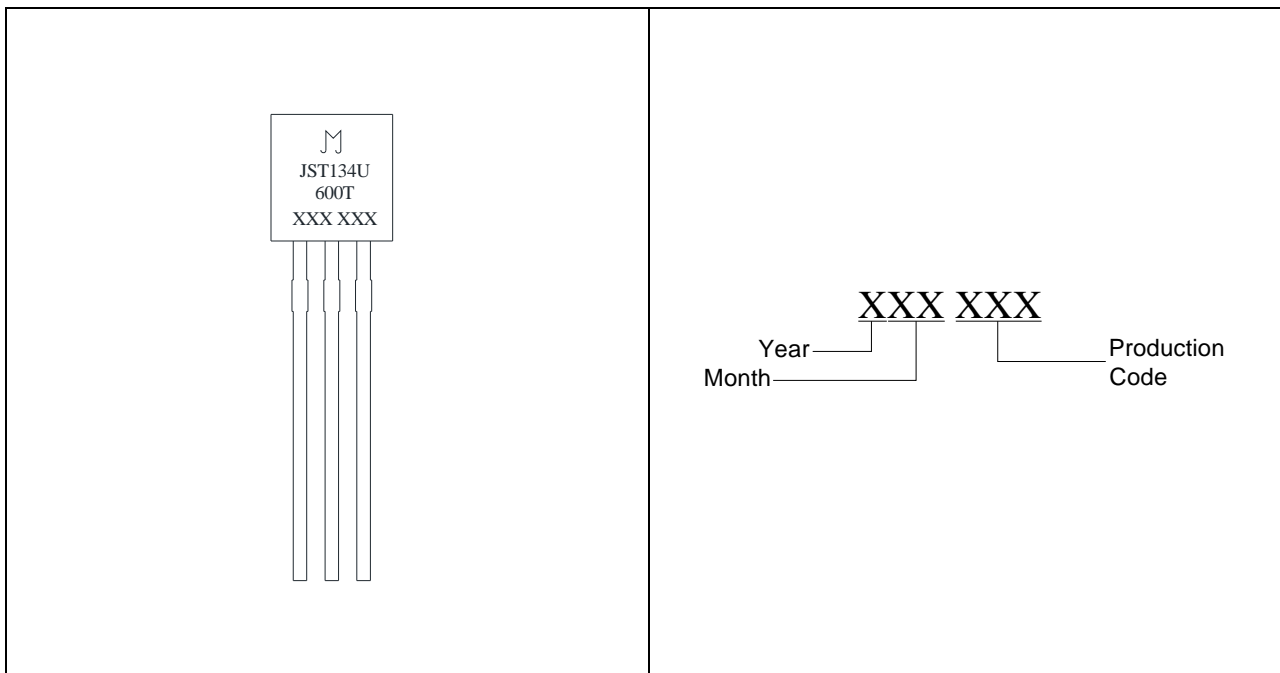
| Parameter | Symbol | Value | Unit |
|---|---------------------|-------|------------------|
| Storage junction temperature range | T _{stg} | 50 | |
| Operating junction temperature range | T _j | 25 | |
| Repetitive peak off-state voltage (T _j =25°C) | V _{DRM} | | V |
| Repetitive peak reverse voltage (T _j =25°C) | V _{RRM} | | V |
| RMS on-state current (T _c = 55°C) | I _{T(RMS)} | | A |
| Non repetitive surge peak on-state current (full cycle , t _p =20ms , T _j =25°C) | I _{TSM} | | A |
| Non repetitive surge peak on-state current (full cycle , t _p =16.6ms , T _j =25°C) | | | |
| I ² t value for fusing (t _p =10ms , T _j =25°C) | I ² t | 5 | A ² s |

Critical rate of rise of on-state current (I_{GT}≠2× I_{GT} , / T_m

ORDERING INFORMATION

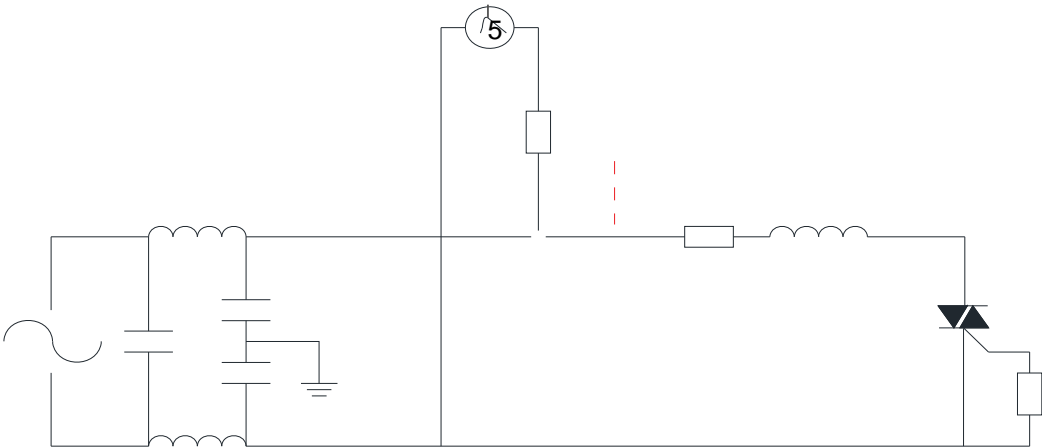


MARKING



JST134U-600T

FIG.7 Test circuit for inductive and resistive loads to IEC-61000-4-5 standards



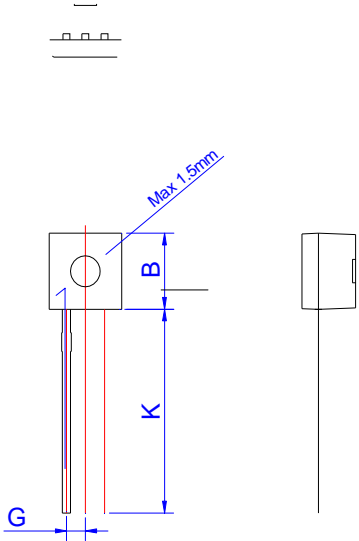
ORDERING INFORMATION

| Order code | Voltage V _{DRM} /V _{RRM} (V) | IGT(mA) | Package | Base qty. (pcs) | Delivery mode |
|-----------------|---|---------|---------|--------------------|---------------|
| | | - - \$ | | | |
| JST134U-600T | 600 | 5 | TO-92 | 1,000 | Bulk Pack |
| JST134U-600T-TR | | | | 2,000 | Tape & Reel |

Document Revision History

| Date | Revision | Changes |
|---------------|----------|--------------------------------|
| Apr.14, 2023 | A.1.0 | Last updated |
| Mar.31, 2025 | A.2.0 | Renew PACKAGE MECHANICAL DATA |
| Sept.28, 2025 | A.2.1 | Revise PACKAGE MECHANICAL DATA |

PACKAGE MECHANICAL DATA



DELIVERY MODE

| | |
|----------------|--|
| PACKAGE | |
|----------------|--|

Information furnished in this document is believed to be accurate and reliable. However, Jiangsu JieJie Microelectronics Co., Ltd. assumes no responsibility for the consequences of use without consideration for such information nor use beyond it. Information mentioned in this document is subject to change without notice, apart from that when an agreement is signed, Jiangsu JieJie complies with the agreement.

Products and information provided in this document have no infringement of patents. Jiangsu JieJie assumes no responsibility for any infringement of other