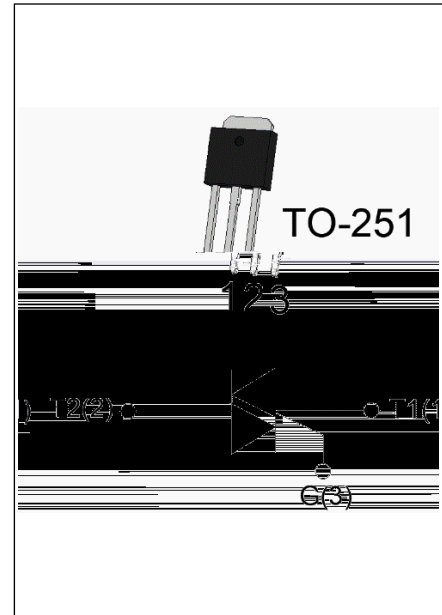




The JST136H-800T triac is suitable for general purpose AC switching. It can be used as an ON/OFF function in applications such as heating regulation, induction motor starting circuits, for phase control operation in light dimmers, motor speed controllers. From T2 terminals to external heatsink. Package TO-251 is RoHS compliant.



| Symbol | Value | Unit |
|-------------------|---------|------|
| $I_{T(RMS)}$ | 4 | A |
| V_{DRM}/V_{RRM} | 800 | V |
| $I_{GT} / / /$ | 5/5/5/5 | mA |

| Parameter | Symbol | Value | Unit |
|---|--------------|---------|-----------|
| Storage junction temperature range | T_{stg} | -40-150 | |
| Operating junction temperature range | T_j | -40-125 | |
| Repetitive peak off-state voltage ($T_j=25^\circ C$) | V_{DRM} | 800 | V |
| Repetitive peak reverse voltage ($T_j=25^\circ C$) | V_{RRM} | 800 | V |
| RMS on-state current ($T_c = 83^\circ C$) | $I_{T(RMS)}$ | 4 | A |
| Non repetitive surge peak on-state current (full cycle, $t_p=20ms$, $T_j=25^\circ C$) | I_{TSM} | 35 | A |
| Non repetitive surge peak on-state current (full cycle, $t_p=16.6ms$, $T_j=25^\circ C$) | | 38 | |
| I^2t value for fusing ($t_p=10ms$, $T_j=25^\circ C$) | I^2t | 6.1 | A^2s |
| Critical rate of rise of on-state current ($I_G=2 \times I_{GT}$, $f=100Hz$, $T_j=125^\circ C$) | - | 50 | $A/\mu s$ |
| | - | 30 | |
| Peak gate current ($t_p=20\mu s$, $T_j=125^\circ C$) | I_{GM} | 2 | A |
| Average gate power dissipation ($T_j=125^\circ C$) | $P_{G(AV)}$ | 0.5 | W |
| Peak gate power | P_{GM} | 5 | W |
| Peak pulse voltage ($T_j=25^\circ C$; non-repetitive, off-state; FIG.7) | V_{pp} | 2.5 | kV |

(T_j=25

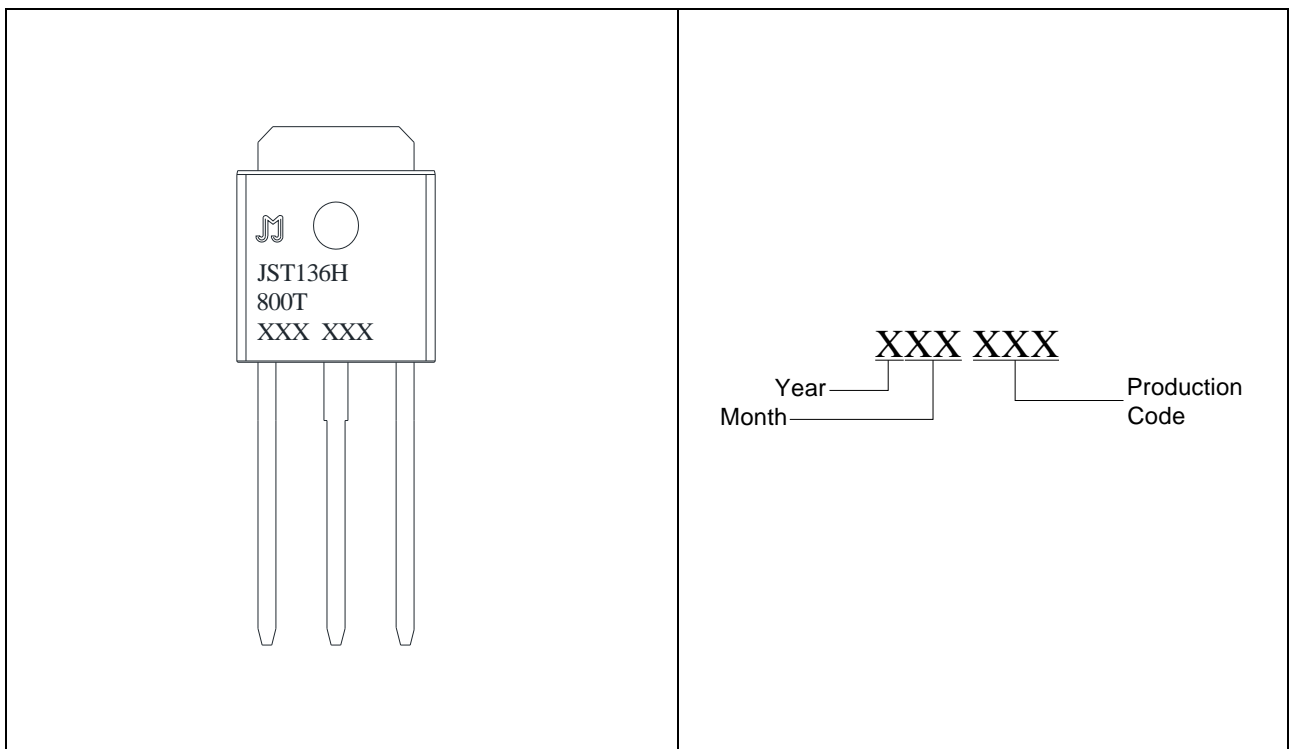
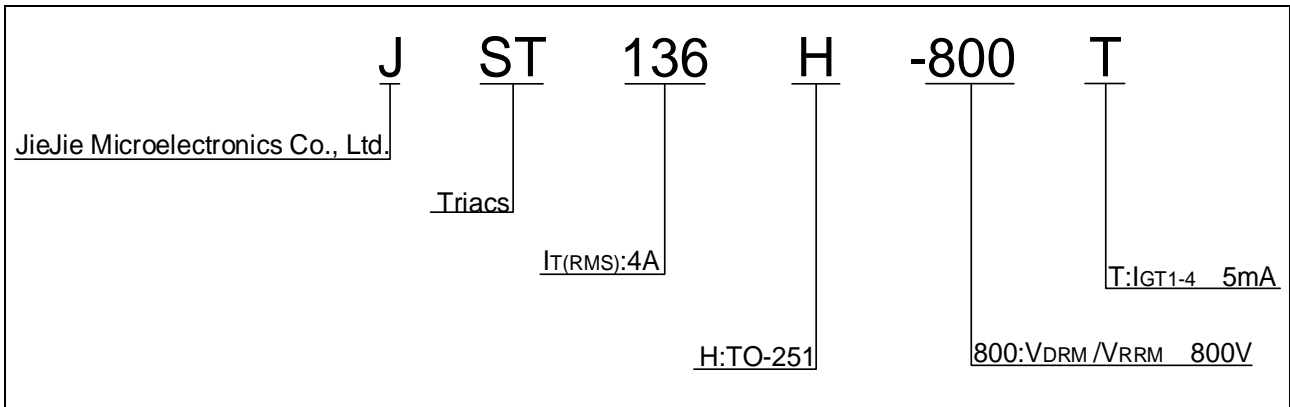


FIG.1: Maximum power dissipation versus RMS on-state current

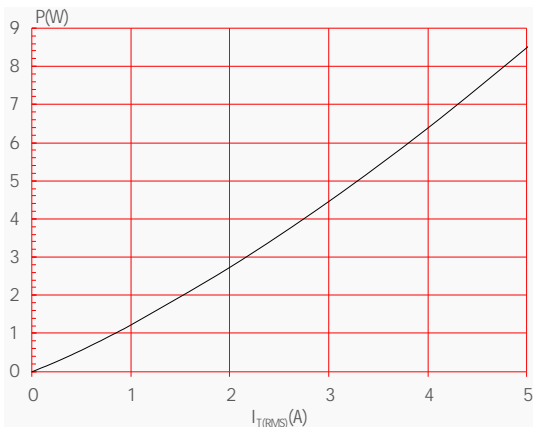


FIG.2: RMS on-state current versus case temperature

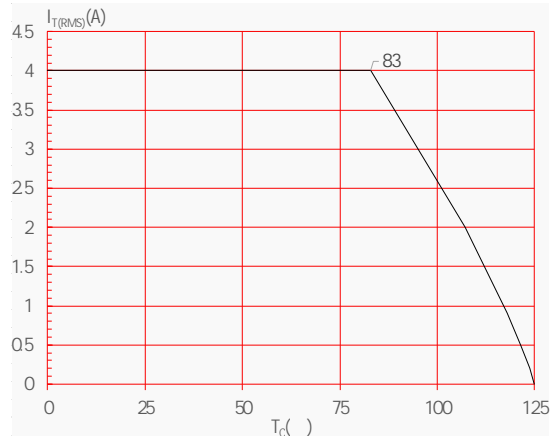


FIG.3: Surge peak on-state current versus number of cycles



FIG.4: On-state characteristics

FIG.7 Test circuit for inductive and resistive loads to IEC-61000-4-5 standards

