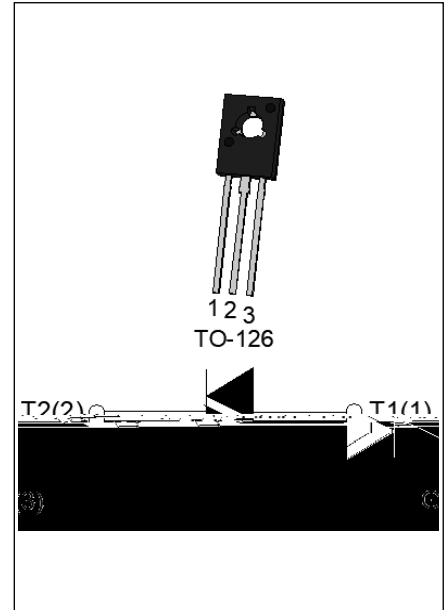




DESCRIPTION:

This device is a 4A TRIAC, which is a bidirectional semiconductor switch. It is used for AC power control in various applications. The device is packaged in a TO-126 package.



MAIN FEATURES

Symbol	Value	Unit
$I_M$	4	A
$V_{EM} / V_{RM}$	60	V
$I_G$ / / /	0 / 0 / 0 / 2	mA

ABSOLUTE MAXIMUM RATINGS

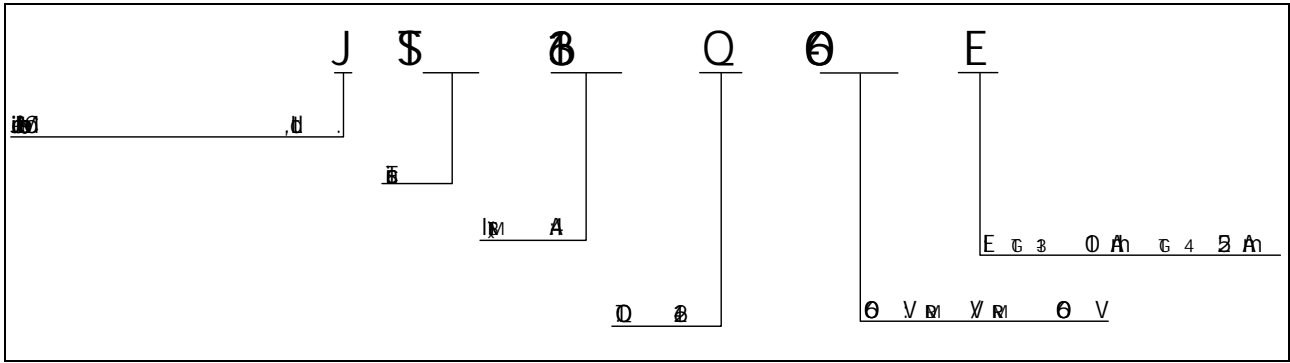
Parameter	Symbol	Value	Unit
Storage Temperature	$T_S$	-40 to 100	°C
Junction Temperature	$T_j$	-40 to 125	°C
Maximum Forward Voltage	$V_{EM}$	60	V
Maximum Reverse Voltage	$V_{RM}$	60	V
Maximum Forward Current	$I_M$	4	A
Maximum Forward Current (Pulse)	$I_{M(p)}$	3	A
Maximum Forward Current (Pulse)	$I_{M(p)}$	8.5	A
Maximum Forward Current Squared Time	$I^2t$	6	A <sup>2</sup> s
Maximum Forward Current (Pulse)	$I_{M(p)}$	0	A
Maximum Forward Current (Pulse)	$I_{M(p)}$	0	A
Maximum Forward Current (Pulse)	$I_{M(p)}$	2	A
Maximum Power Dissipation	$P_{RM}$	0	W
Maximum Power Dissipation	$P_{EM}$	5	W
Maximum Peak Voltage	$V_p$	35	kV

ELECTRICAL CHARACTERISTICS

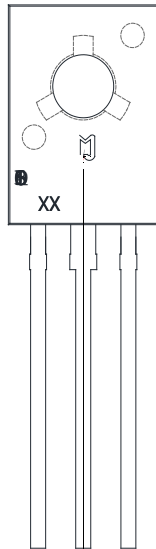
Symbol	Test Condition	Quadrant	Value	Unit
--------	----------------	----------	-------	------

$I_G$        $V_{DR}$        $L3$

ORDERING INFORMATION



MARKING





JST136Q-600E

JieJie MB (CM)TJ -0.004 Tc 0.004 Tw 0.86

ORDERING INFORMATION

Order code	Voltage $V_{DRM}/V_{RRM}$ (V)	IGT(mA)		Package	Base qty. (pcs)	Delivery mode
		-	-			
JST136Q-600E	600	10	25	TO-126	500	Bulk Pack

Document Revision History

Rev	Description	Date
A	A 10	14, 0



