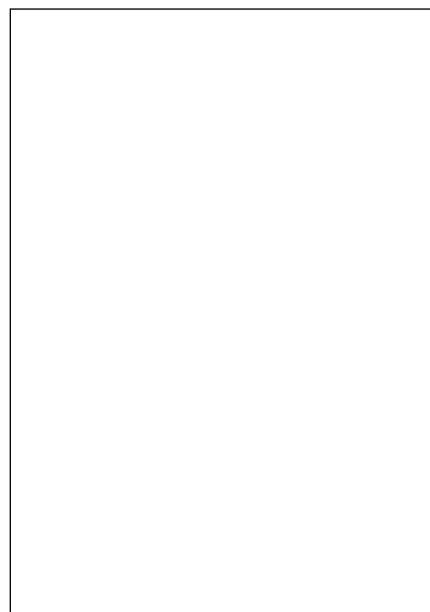


## DESCRIPTION:

The JST137D-600G triac is suitable for general purpose AC switching. It can be used as an ON/OFF function in applications such as heating regulation, induction motor starting circuits, for phase control operation in light dimmers, motor speed controllers. Package TO-262 is RoHS compliant.



## MAIN FEATURES

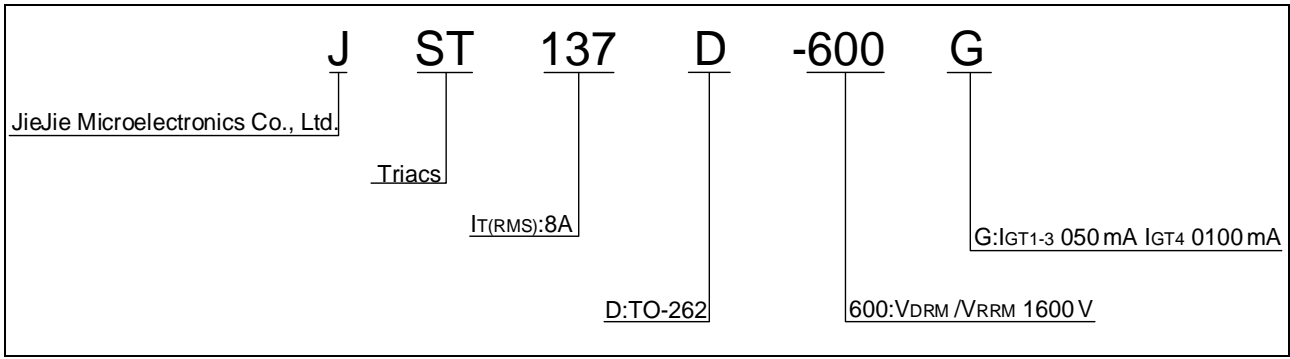
Symbol	Value	Unit
$I_{T(RMS)}$	8	A
$V_{DRM}/V_{RRM}$	600	V
$I_{GT} / / /$	50/50/50/100	mA

## ABSOLUTE MAXIMUM RATINGS

Parameter	Symbol	Value	Unit	
Storage junction temperature range	$T_{stg}$	-40-150		
Operating junction temperature range	$T_j$	-40-125		
Repetitive peak off-state voltage ( $T_j=25^\circ\text{C}$ )	$V_{DRM}$	600	V	
Repetitive peak reverse voltage ( $T_j=25^\circ\text{C}$ )	$V_{RRM}$	600	V	
RMS on-state current ( $T_c 0100^\circ\text{C}$ )	$I_{T(RMS)}$	8	A	
Non repetitive surge peak on-state current (full cycle, $t_p=20\text{ms}$ , $T_j=25^\circ\text{C}$ )	$I_{TSM}$	65	A	
Non repetitive surge peak on-state current (full cycle, $t_p=16.6\text{ms}$ , $T_j=25^\circ\text{C}$ )		72		
$I^2t$ value for fusing ( $t_p=10\text{ms}$ , $T_j=25^\circ\text{C}$ )	$I^2t$	21	$\text{A}^2\text{s}$	
Critical rate of rise of on-state current ( $I_G=2 \times I_{GT}$ , $f=100\text{Hz}$ , $T_j=125^\circ\text{C}$ )	-	$di/dt$	100	A/s
			50	
Peak gate current ( $t_p=20^\circ\text{s}$ , $T_j=125^\circ\text{C}$ )	$I_{GM}$	4	A	
Average gate power dissipation ( $T_j=125^\circ\text{C}$ )	$P_{G(AV)}$	0.5	W	
Peak gate power	$P_{GM}$	10	W	
Peak pulse voltage ( $T_j=25^\circ\text{C}$ ; non-repetitive, off-state; FIG.7)	$V_{pp}$	4	kV	

ELECTRICAL CHARACTERISTICS

ORDERING INFORMATION



MARKING

FIG.1: Maximum power dissipation versus RMS on-state current

FIG.2: RMS on-state current versus case temperature

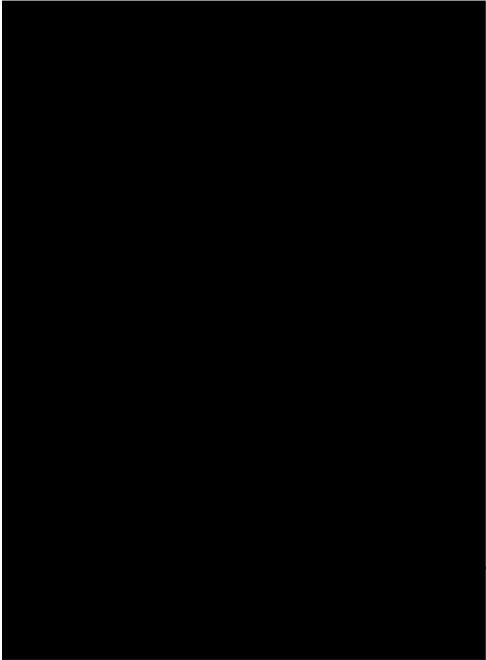




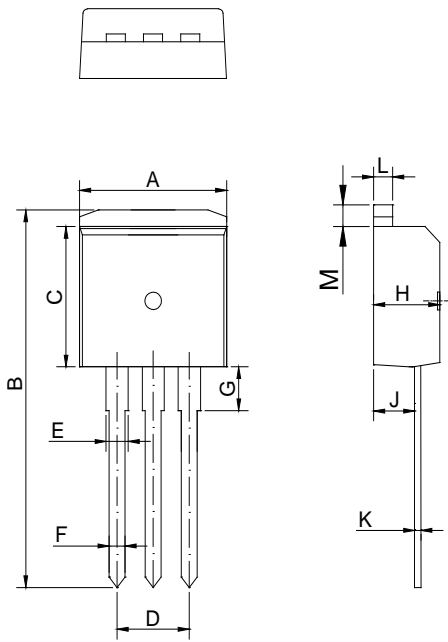
IGT(mA)

Package

Base qty.  
(pcs)

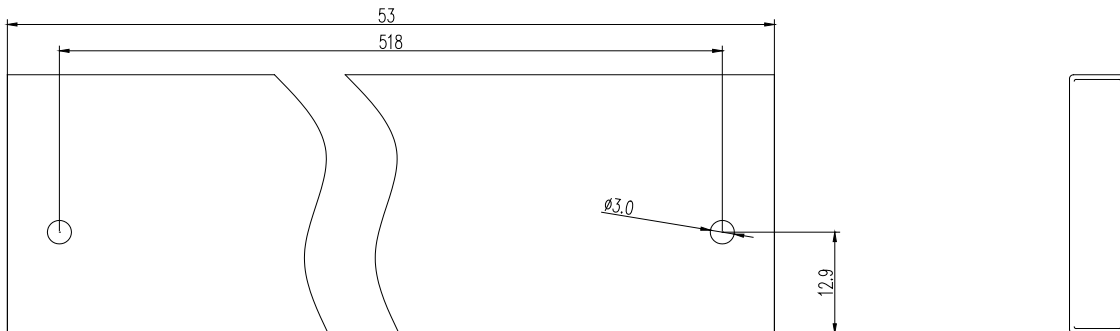


PACKAGE MECHANICAL DATA



Ref.	Dimensions					
	Millimeters			Inches		
	Min.	Typ.	Max.	Min.	Typ.	Max.
A	9.95		10.20	0.392		0.402
B	23.85		24.05	0.939		0.947
C	9.40		9.60	0.370		0.378
D	4.95		5.25	0.195		0.207
E	1.35		1.40	0.053		0.055
F	0.80		0.85	0.031		0.033
G	2.70		3.40	0.106		0.134
H	4.45		4.55	0.175		0.179
J	2.20		2.60	0.087		0.102
K	0.48		0.52	0.019		0.020
L	1.30		1.35	0.051		0.053
M	1.20		1.50	0.047		0.059

DELIVERY MODE



Information furnished in this document is believed to be accurate and reliable. However, Jiangsu JieJie Microelectronics Co., Ltd assumes no responsibility for the consequences of use without consideration for such information nor use beyond it. Information mentioned in this document is subject to change without notice, apart from that when an agreement is signed, Jiangsu JieJie complies with the agreement.

Products and information provided in this document have no infringement of patents. Jiangsu JieJie assumes no responsibility for any infringement of other rights of third parties which may result from the use of such products and information. This document supersedes and replaces all information previously supplied.

is a registered trademark of Jiangsu JieJie Microelectronics Co., Ltd.  
Copyright © 2023 Jiangsu JieJie Microelectronics Co., Ltd. All rights reserved.