



JST137E-600G 8A TRIAC

Rev.A.1.1

DESCRIPTION:

The JST137E-600G triac is suitable for general purpose AC switching. It can be used as an ON/OFF function in applications such as heating regulation, induction motor starting circuits, for phase control operation in light dimmers, motor speed controllers. Package TO-263 is RoHS compliant.

MAIN FEATURES

ABSOLUTE MAXIMUM RATINGS

| Parameter | Symbol | Value | Unit |
|--|--------------|---------|------------------------|
| Storage junction temperature range | T_{stg} | -40-150 | |
| Operating junction temperature range | T_j | -40-125 | |
| Repetitive peak off-state voltage ($T_j=25^\circ\text{C}$) | V_{DRM} | 600 | V |
| Repetitive peak reverse voltage ($T_j=25^\circ\text{C}$) | V_{RRM} | 600 | V |
| RMS on-state current ($T_c = 100^\circ\text{C}$) | $I_{T(RMS)}$ | 8 | A |
| Non repetitive surge peak on-state current (full cycle, $t_p=20\text{ms}$, $T_j=25^\circ\text{C}$) | I_{TSM} | 65 | A |
| Non repetitive surge peak on-state current (full cycle, $t_p=16.6\text{ms}$, $T_j=25^\circ\text{C}$) | | 72 | |
| I^2t value for fusing ($t_p=10\text{ms}$, $T_j=25^\circ\text{C}$) | I^2t | 21 | A^2s |
| Critical rate of rise of on-state current ($I_G=2 \times I_{GT}$, $f=100\text{Hz}$, $T_j=125^\circ\text{C}$) | di/dt | 100 | $\text{A}/\mu\text{s}$ |
| | | 50 | |
| Peak gate current ($t_p=20\mu\text{s}$, $T_j=125^\circ\text{C}$) | I_{GM} | 4 | A |
| | $P_{G(AV)}$ | 0.5 | W |
| | P_{GM} | 10 | W_j |

ORDERING INFORMATION

| | | | | | | |
|-----------------------------------|-----------|-----------------|----------|---|--------------------------|-------------------------------|
| J | ST | 137 | E | -600 | G | -/ |
| JieJie Microelectronics Co., Ltd. | Triacs | $I_{T(RMS)}:8A$ | E:TO-263 | 600:V _{DRM} /V _{RRM} 600V | G:IGT1-3 50mA IGT4 100mA | Blank:Tube -TR:Tape & Reel |

MARKING

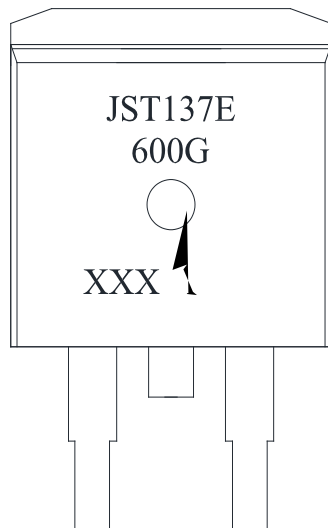


FIG.8: Test circuit for inductive and resistive loads to IEC-61000-4-

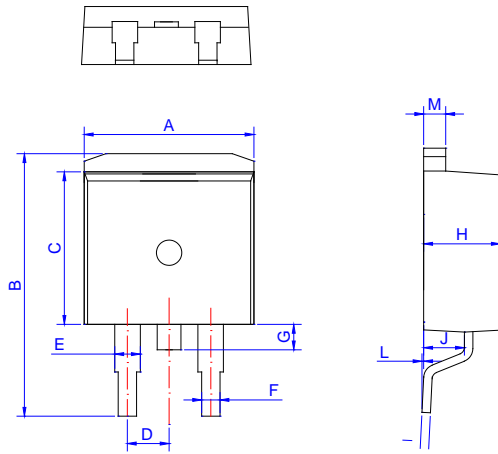
ORDERING INFORMATION

| Order code | Voltage V_{DRM}/V_{RRM} (V) | IGT(mA) | | Package | Base qty. (pcs) | Delivery mode |
|-----------------|----------------------------------|---------|-----|---------|--------------------|---------------|
| | | - | - | | | |
| JST137E-600G | 600 | 50 | 100 | TO-263 | 50 | Tube |
| JST137E-600G-TR | | | | | 800 | Tape & Reel |

Document Revision History

| Date | Revision | Changes |
|--------------|----------|--------------------------------|
| Apr.14, 2023 | A.1.0 | Last updated |
| Oct.21, 2025 | A.1.1 | Revise PACKAGE MECHANICAL DATA |

PACKAGE MECHANICAL DATA



| Ref. | Dimensions | | | | | |
|------|-------------|------|-------|--------|------|-------|
| | Millimeters | | | Inches | | |
| | Min. | Typ. | Max. | Min. | Typ. | Max. |
| A | 9.90 | | 10.20 | 0.390 | | 0.402 |
| B | 14.70 | | 15.80 | 0.579 | | 0.622 |
| C | 9.40 | | 9.60 | 0.370 | | 0.378 |
| D | 2.40 | | | 0.094 | | |
| E | 1.20 | | 1.50 | 0.047 | | 0.059 |
| F | 0.75 | | 0.85 | 0.029 | | 0.033 |
| | | | | | | |
| | | | | | | |
| | | | | | | |
| | | | | | | |

DELIVERY MODE

