

JST16E-800CW 16A TRIAC

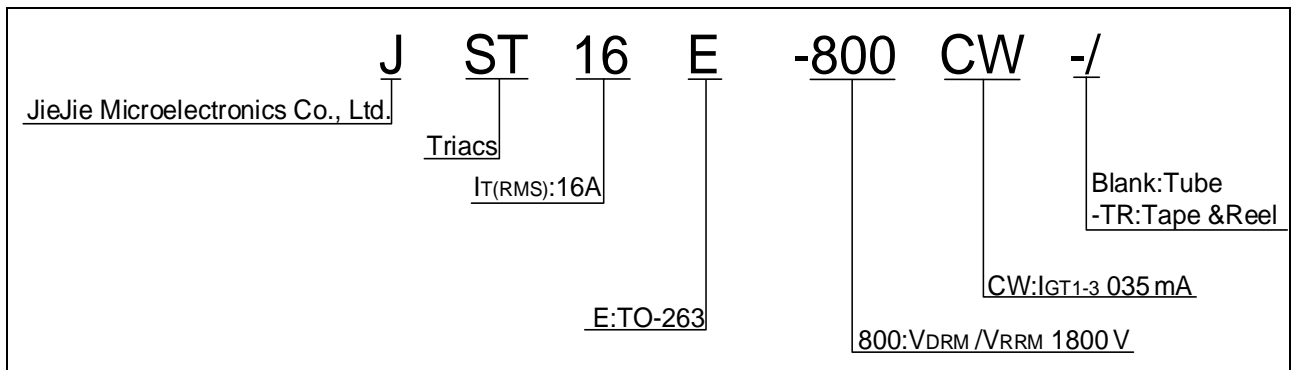
Rev.A.1.1

## DESCRIPTION:

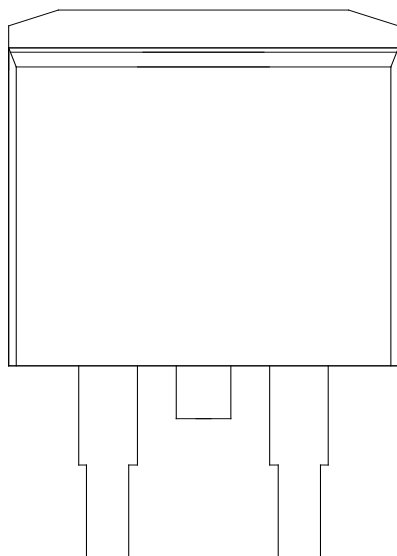
The JST16E-800CW triac is suitable for general purpose AC switching. It can be used as an ON/OFF function in

JST16E-800CW

ORDERING INFORMATION



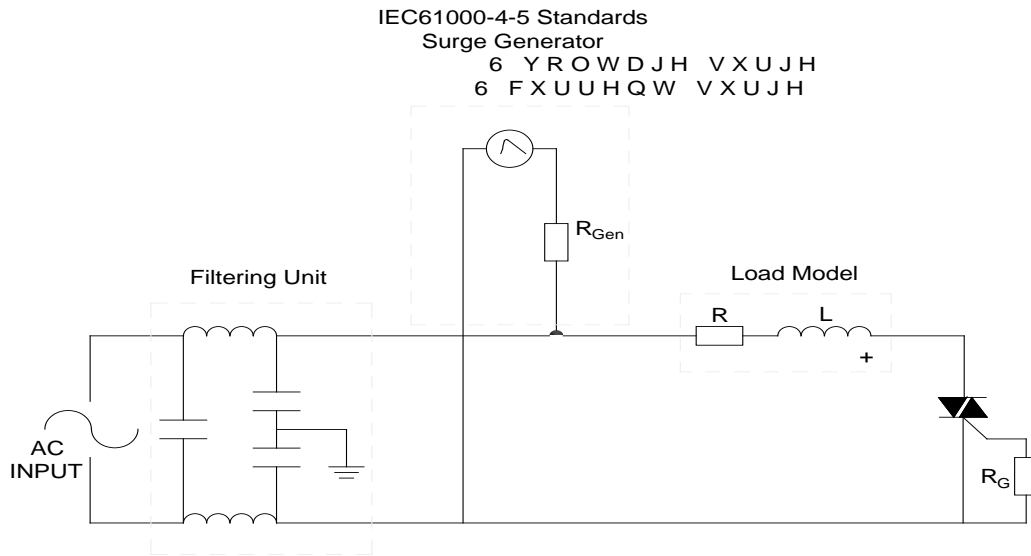
MARKING



JST16E-

FIG.7:

FIG.8: Test circuit for inductive and resistive loads to IEC-61000-4-5 standards



## ORDERING INFORMATION

Order code	Voltage $V_{DRM}/V_{RRM}$ (V)	IGT(mA)	Package	Base qty. (pcs)	Delivery mode
		H- I- J			
JST16E-800CW	800	35	TO-263	50	Tube
JST16E-800CW-TR				800	Tape & Reel

## Document Revision History

Date	Revision	Changes
Apr.12, 2023	A.1.0	Last updated
Oct.20, 2025	A.1.1	Revise PACKAGE MECHANICAL DATA



DELIVERY MODE

