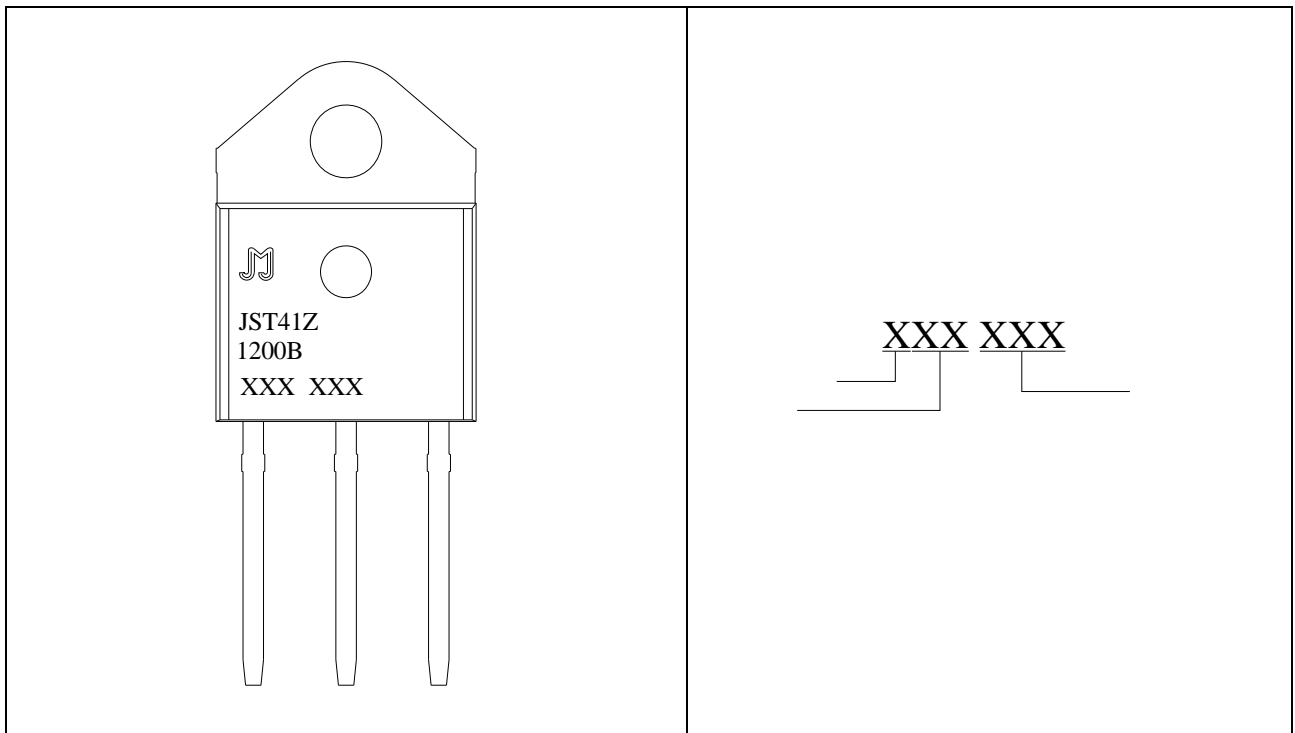
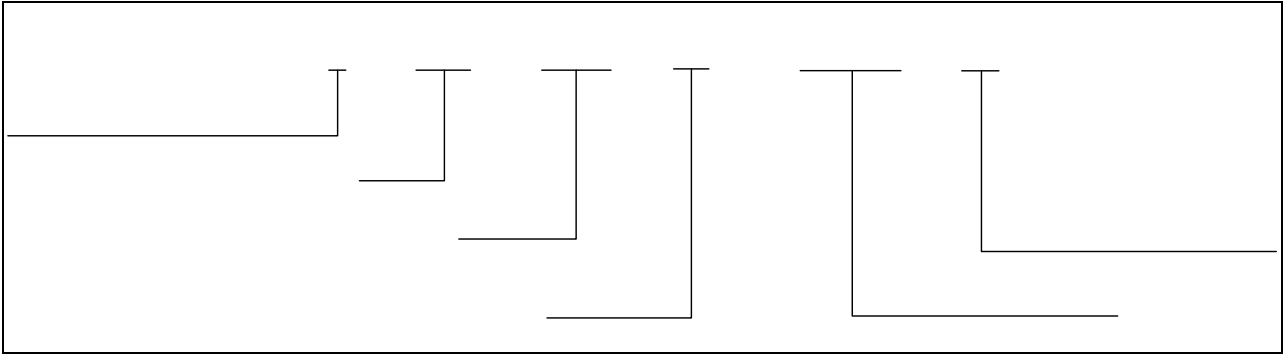




--	--	--	--

Symbol	Test Condition	Quadrant	Value	Unit
--------	----------------	----------	-------	------





Order code	Voltage V _{DRM} /V _{RRM} (V)	IGT(mA)		Package	Base qty. (pcs)	Delivery mode
		-	-			
JST41Z-1200B	1200	50	70	TO-3P(Ins)	30	Tube

Document Revision History

Document Revision History		

