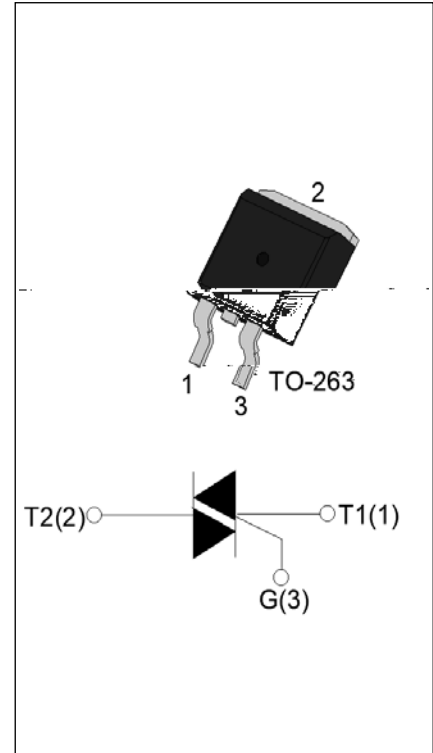




DESCRIPTION:

The T0435H-8E is a sensitive triac with a gate terminal. It can be used as ON/OFF for AC load. It has a high thermal conductivity and a high surge current capability. It is suitable for AC load switching. The T0435H-8E is packaged in TO-263 package. Storage temperature range is -40°C to 150°C. Package TO263 is SMD.



MAIN FEATURES

Symbol	Value	Unit
$I_T(RMS)$	4	A
V_{DRM} / V_{RRM}	800	V
$I_{GT} / /$	35/35/35	mA

ABSOLUTE MAXIMUM RATINGS

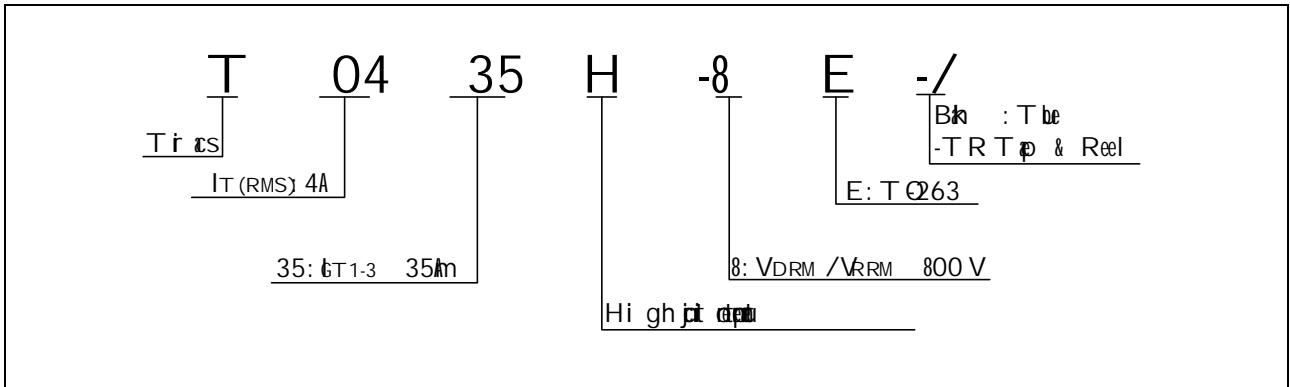
Parameter	Symbol	Value	Unit
Storage temperature	T_s	-40-150	
Operating temperature	T_j	-40-150	
Repetitive peak reverse voltage ($T_c=137^\circ C, j=25$)	V_{DRM}	800	V
Repetitive peak forward voltage ($T_c=137^\circ C, j=25$)	V_{RRM}	800	V
RMS on-state current ($T_c=137^\circ C$)	$I_T(RMS)$	4	A
Non-repetitive surge current (pulse width, $t_p=20ms, j=25$)	I_{TSM}	40	A
Non-repetitive surge current (pulse width, $t_p=16.6ms, j=25$)		44	
I^2t rating ($t_p=10ms, j=25$)	I^2t	8	A^2s
Current rise rate ($I_G=2 \times I_{GT}, f=100Hz, T_j=150$)	di/dt	80	A/s
Peak gate current ($t_p=20\mu s, T_j=150$)	I_{GM}	4	A
Average gate power dissipation ($T_j=150$)	$P_{G(AV)}$	1	W
Peak power	P_{GM}	10	W

Peak ($T_j=25^\circ\text{C}$; $f=1\text{kHz}$; FIG. 8)	V_p	4	V
--	-------	---	---

ELECTRICAL CHARACTERISTICS (at $T_j=25^\circ\text{C}$ unless specified)

Symbol	Test Condition	Quadrant	Value		Unit
I_{GT}	$V_D=12\text{V}$ $R_L=33\Omega$	- -	MAX.	35	mA
V_{GT}		- -	MAX.	1	V
V_{GD}	$V_D=V_{DRM}$ $T_j=150^\circ\text{C}$ $R_L=3.3\text{K}\Omega$	- -	MIN.	0.2	V
I_L	$I_G=1.2I_{GT}$	-	MAX.	40	mA
				50	
I_H	$I_T=100\text{mA}$		MAX.	30	mA

ORDERING INFORMATION



MARKING

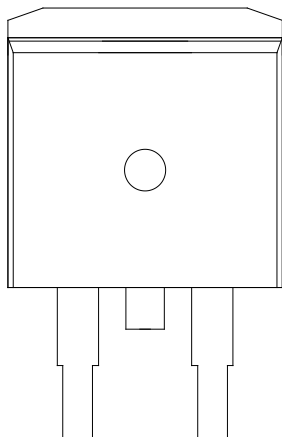


FIG.1 Max ρ vs ρ_{RMS}
 ρ vs ρ_{RMS}

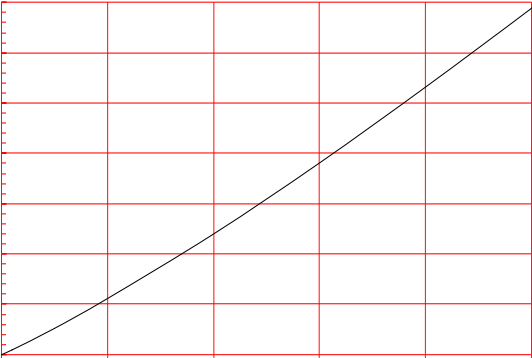
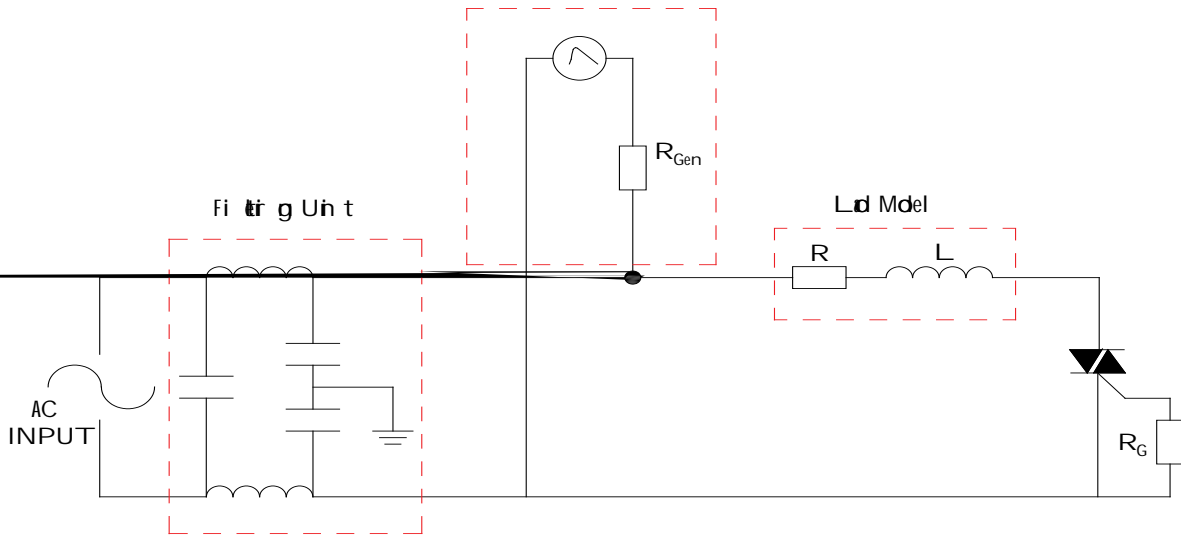


FIG.2: RMS ρ vs ρ_{RMS}
 ρ_{RMS} vs ρ_{RMS}

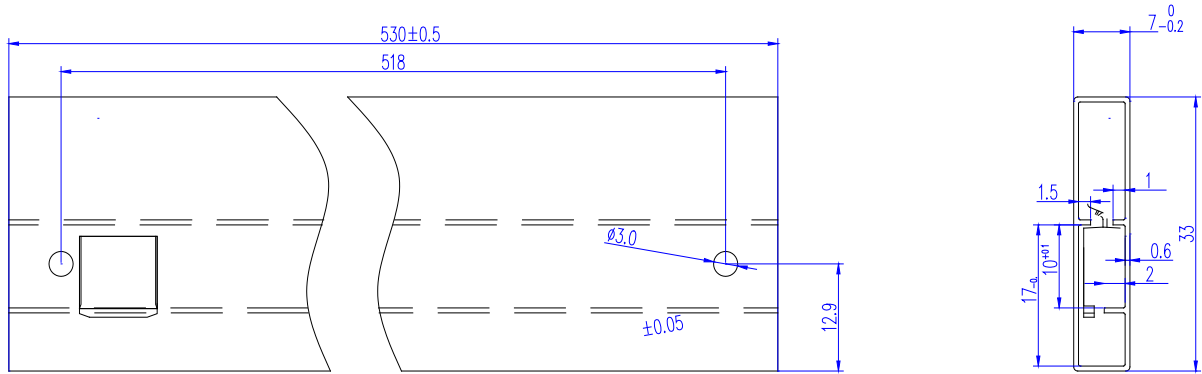
T0435H0435H0 435H

435H35Hieie



T0435H-8E

DELIVERY MODE



PACKAGE	OUTLINE	TUBE (PCS)	INNER BOX (PCS)	PER CARTON
T0263	TUBE	50	1,000	5,000

Ref.	Dimensions			Inches		
	Min	Typ	Max	Min	Typ	Max
W	23.70	24.00	24.30	0.933	0.945	0.957
E	1.65	1.75	1.85	0.065	0.069	0.073
F	11.40	11.50	11.60	0.449	0.452	0.457
D0	-	1.50	1.60	-	-	-
D1	-	1.50	1.60	-	-	-
P0	3.90	4.00	4.10	-	-	-
P1	15.90	16.00	16.10	-	-	-
P2	1.90	2.00	2.10	-	-	-
A0	10.80	10.90	11.00	-	-	-
B0	16.20	16.30	16.40	-	-	-
K0	4.80	4.90	5.00	-	-	-
t	0.35	0.40	0.45	-	-	-

