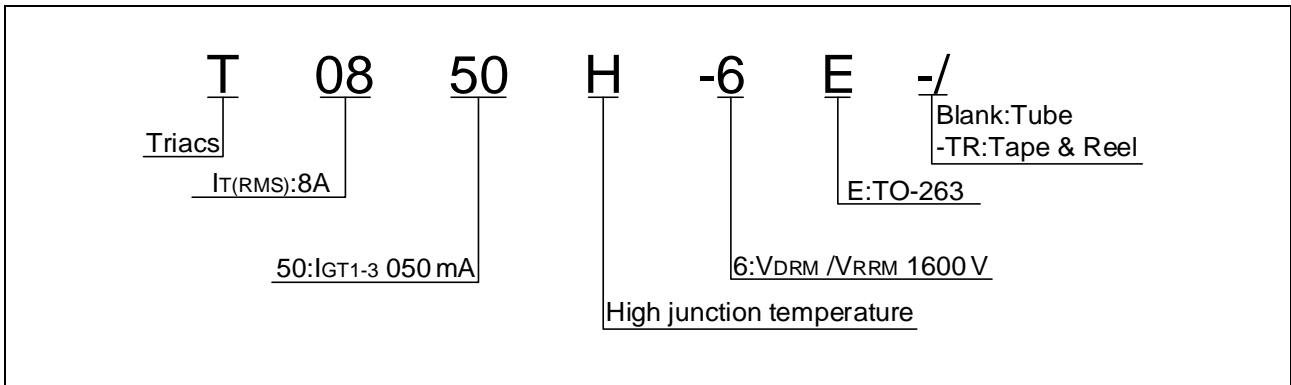




T0850H-6E

ORDERING INFORMATION



MARKING

FIG.1 Maximum power dissipation versus RMS on-state current

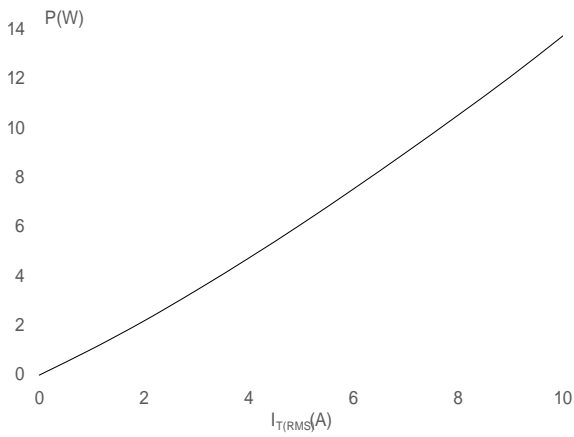
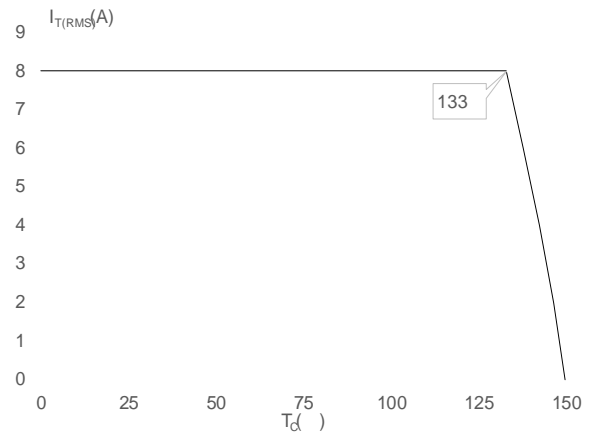


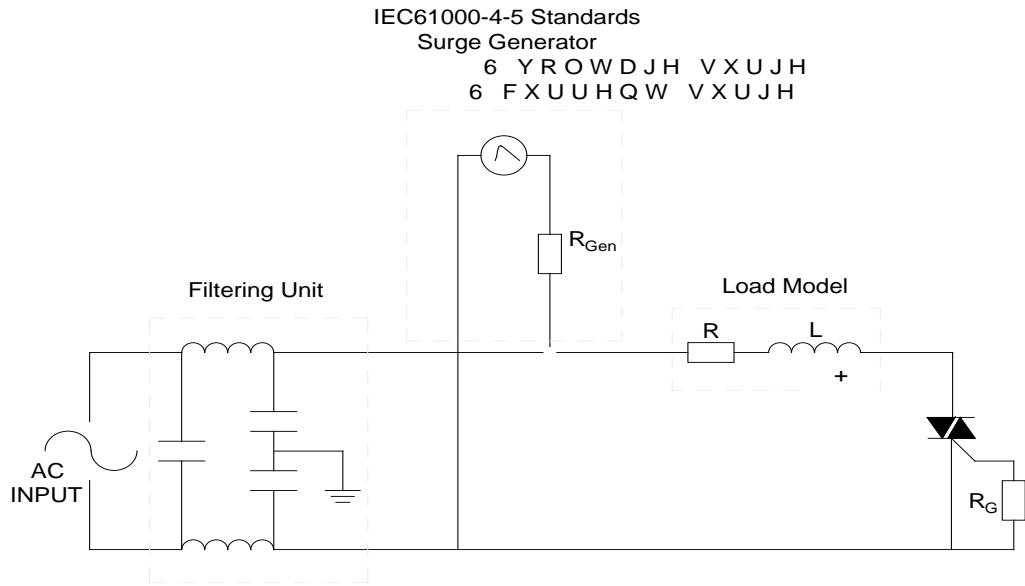
FIG.2: RMS on-state current versus case temperature



5 (S)-14f91f123TBS0P[(-)T] d [(R)-16.3 (M)-7.-9.898 - Q e W <</Mnumber y146611(In)]TJ 0 es-

FIG.7: Relative variations of gate trigger current, holding current and latching current versus junction temperature

FIG.8 ÖTest circuit for inductive and resistive loads to IEC-61000-4-5 standards



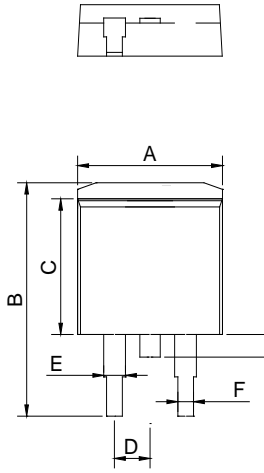
## ORDERING INFORMATION

Order code	Voltage $V_{DRM}/V_{RRM}$ (V)	IGT(mA)	Package	Base qty. (pcs)	Delivery mode
		- -			
T0850H-6E	600	50	TO-263	50	Tube
T0850H-6E-TR				800	Tape & Reel

## Document Revision History T

Date	Revision	Changes
------	----------	---------

PACKAGE MECHANICAL DATA



Ref.	Dimensions					
	Millimeters			Inches		
	Min.	Typ.	Max.	Min.	Typ.	Max.
A	9.90		10.20	0.390		0.402
B	14.70		15.80	0.579		0.622
C	9.40		9.60	0.37		0.378
D	2.40			0.094		
E	1.20		1.50	0.047		0.059
F	0.75		0.85	0.029		0.033
G			1.50			
H	4.40		4.70	0.173		0.185
J	2.30		2.70	0.091		0.106
K	0.38		0.55	0.015		0.022
L	0		0.25			
M	1.25		1.35			



Information furnished in this document is believed to be accurate and reliable. However, Jiangsu JieJie Microelectronics Co., Ltd. assumes no responsibility for the consequences of use without consideration for such information nor use beyond it. Information mentioned in this document is subject to change without notice, apart from that when an agreement is signed, Jiangsu JieJie complies with the agreement.

Products and information provided in this document have no infringement of patents. Jiangsu JieJie assumes no responsibility for any infringement of other rights of third parties which may result from the use of such products and information. This document supersedes and replaces all information previously supplied.

is a registered trademark of Jiangsu JieJie Microelectronics Co., Ltd.

Copyright © 2023 Jiangsu JieJie Microelectronics Co., Ltd. All rights reserved.